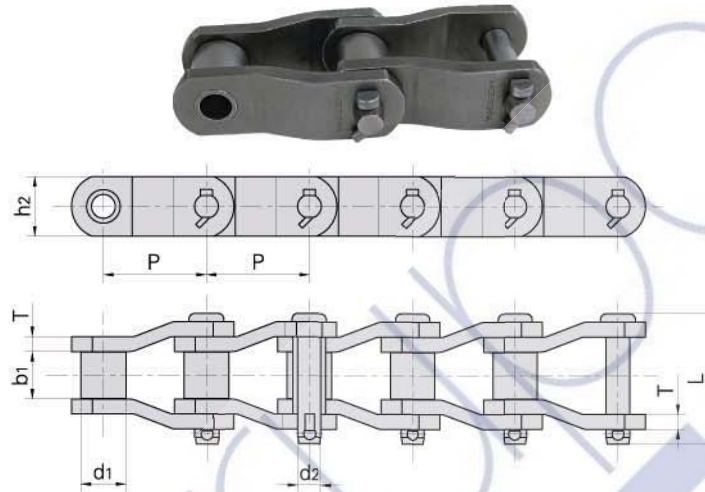


Heavy duty cranked-link transmission chains

Cadenas de transmisión de enlace acodadas para trabajo pesado



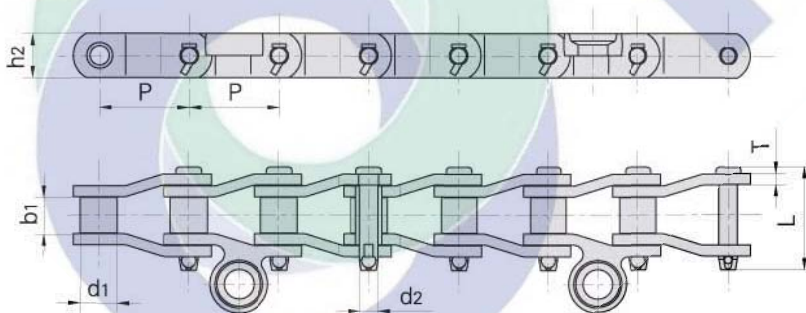
Donghua Chain No. Donghua Cadena No	Pitch	Roller diameter	Width between inner plates	Pin diameter	Pin length	Plate depth	Plate thickness	Ultimate tensile strength	Average tensile strength	Weight per meter
	Paso	Diámetro rodillo	Ancho interior	Diámetro pasador	Longitud pasador	Altura placas	Ancho placas	Resis. rotura	Resis. media tracción	Peso por metro
	P	d1 max	b1 min	d2 max	L max	h2	T	Q min	Q0	q
	mm	mm	mm	mm	mm	mm	mm	kN/LB	kN	kg/m
2010	63.50	31.75	38.10	15.90	89.0	47.8	7.9	250.0/56818	270.0	13.53
2510	78.10	31.75	36.90	16.00	94.8	40.0	8.0	271.0/61590	292.6	10.72
2510H	78.10	31.75	36.90	16.50	95.3	45.0	9.5	280.4/63727	302.8	12.70
2512(MXS3011)	77.90	41.28	39.60	19.05	100.0	57.0	9.7	340.0/77272	367.2	18.40
2512F2	77.90	41.28	38.50	19.05	103.4	60.0	10.0	400.0/90909	420.0	20.28
2814	88.90	44.45	36.60	22.23	117.6	58.0	12.7	471.0/105955	507.6	25.70
3214	103.20	44.45	48.00	22.00	123.5	55.0	13.0	476.0/108180	514.0	23.60
3214F1	103.20	44.45	49.20	23.90	129.0	60.0	14.0	666.4/151450	700.0	26.70
3315	103.45	45.24	49.30	23.85	130.0	63.5	14.2	550.0/125000	594.0	27.71
3618	114.30	57.15	52.30	27.97	138.0	79.2	14.2	760.0/172727	820.8	41.20
4020	127.00	63.50	69.90	31.78	165.7	88.9	15.7	987.0/224300	1069.2	48.60
2184	152.40	76.20	35.00	22.20	96.0	51.0	9.5	330.0/75000	378.0	18.17
MXS882	66.27	22.23	28.58	11.10	68.5	28.5	6.4	115.6/26272	124.8	5.30
MXS3075	78.10	31.75	38.10	16.46	93.5	44.5	9.7	334.0/75909	360.7	13.45
MXS1242	103.20	44.45	49.20	22.23	124.5	57.0	12.8	623.0/141591	672.8	24.63
SS588	66.27	22.23	28.60	11.11	63.7	28.6	6.4	130.0/29545	144.0	5.46
SS588F1	66.27	22.23	27.00	11.11	62.0	28.6	6.4	88.9/20205	97.8	5.39
SS588F2	66.27	22.23	27.00	9.53	59.0	25.4	5.6	84.46/19195	91.2	4.26
SS568H	77.90	41.30	39.70	19.05	97.6	57.0	9.5	340.0/77272	367.2	19.80
SS40H(P)	78.11	31.75	38.10	15.88	97.0	41.5	9.5	250.0/56818	280.0	12.60
SS124	103.20	44.45	49.20	22.23	127.2	57.0	12.7	560.0/127272	590.0	22.57
SS15F1	103.45	45.24	47.60	23.85	133.0	60.0	15.0	650/147726	616.0	27.34
SS1245	103.45	45.20	49.60	23.80	129.4	60.0	14.5	550/125000	605.0	31.19
SS635H	114.30	57.20	52.40	27.94	137.0	76.2	14.5	760/172727	836.0	37.80

Heavy duty cranked-link transmission chains

Cadenas de transmisión de enlace acodadas para trabajo pesado

ANTRIEBSKETTEN

Donghua Chain No. Donghua Cadena No	Pitch	Roller diameter	Width between inner plates	Pin diameter	Pin length	Plate depth	Plate thickness	Ultimate tensile strength	Average tensile strength	Weight per meter
	Paso	Diámetro rodillo	Ancho interior	Diámetro pasador	Longitud pasador	Altura placas	Ancho placas	Resis. rotura	Resis. media tracción	Peso por metro
	P	d1 max	b1 min	d2 max	L max	h2	T	Q min	Q0	q
	mm	mm	mm	mm	mm	mm	mm	kN/LB	kN	kg/m
2010H	63.50	31.75	31.75	15.88	97.0	41.5	9.5	250/56815	275.0	11.91
SS2065	50.80	28.58	32.50	15.05	79.5	38.0	7.9	220/49998	242.0	12.14
4020SH	127.00	63.50	69.90	31.78	165.7	88.9	15.7	1332.8/302893	1246.0	48.60
2814F1	88.90	44.45	36.90	22.23	117.6	60.0	13.5	556/126358	611.0	24.20
2814F2	88.90	44.45	38.60	22.23	119.6	58.0	12.7	559/127040	614.9	25.40
SH1245	103.45	45.30	49.60	23.80	130.0	60.0	14.5	722/164084	794.0	31.00
P153	153.619	34.93	53.98	17.48	107.0	44.5	9.5	150/34090	165.0	10.90
P153F2	153.619	34.93	53.98	17.48	100.0	44.5	8.0	150/34090	165.0	9.80
2510F1	78.10	31.75	36.60	16.00	88.9	38.1	8.0	124.5/28295	137.0	9.93
SS635HF1	114.30	57.20	52.40	27.94	137.0	76.2	17.5	964/219085	1060.0	37.90
RO6042F1	152.40	76.20	76.30	44.00	184.0	120.0	19.0	1500/340900	1600.0	63.60
SS568HF2	77.90	31.75	39.70	19.05	98.5	57.0	9.5	447/101588	491.0	16.90
RO1205	127.00	63.50	65.00	31.75	147.6	82.5	14.2	872/198177	955.0	42.93
2510F2	78.10	31.75	36.60	15.75	88.0	38.1	8.0	225/51135	248.0	11.70
*MX603	76.20	22.50	38.00	14.00	88.0	40.0	8.0	147/33408	161.0	9.20
4824	152.40	76.20	74.60	38.10	186.0	100.0	20.0	1600/363632	1700.0	69.80
R3112	50.80	28.70	31.00	14.20	73.9	41.4	6.4	168.9/38385	185.0	10.70
MXS3075F1	78.10	33.00	38.10	16.46	94.5	44.5	9.7	334/75907	365.8	14.00
MXS3075F2	78.10	31.75	38.10	17.81	90.0	45.0	8.0	333.2/75726	365.8	12.20



Donghua Chain No. Donghua Cadena No	Pitch	Roller diameter	Width between inner plates	Pin diameter	Pin length	Plate depth	Plate thickness	Ultimate tensile strength	Average tensile strength
	Paso	Diámetro rodillo	Ancho interior	Diámetro pasador	Longitud pasador	Altura placas	Ancho placas	Resis. rotura	Resis. media tracción
	P	d1 max	b1 min	d2 max	L max	h2	T	Q min	Q0
	mm	mm	mm	mm	mm	mm	mm	kN/LB	kN
SS40SL	78.105	31.78	31.75	15.90	89.15	38.0	9.5	250.0/56818	266.88

*Bushing chain: d1 in the table indicate the external diameter of the bushing

*Casquillo de la cadena: d1 en la tabla indican el diámetro exterior del casquillo.