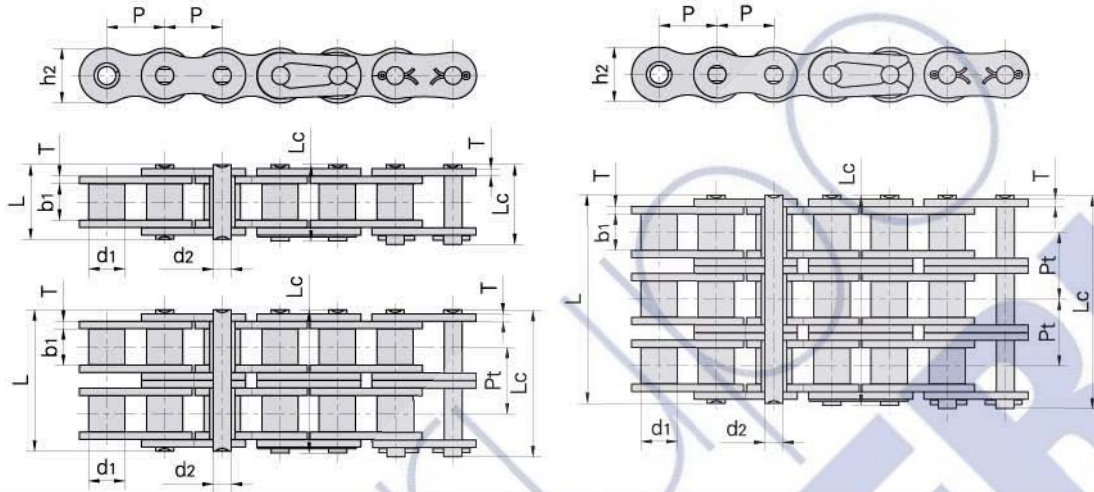


# Heavy duty series roller chains

## Cadenas de rodillos para trabajo pesado



DIN/ISO Chain No.	ANSI Chain No.	Pitch	Roller diameter	Width between inner plates		Pin diameter	Pin length	Inner plate depth	Plate thickness	Transverse pitch	Ultimate tensile strength	Average tensile strength	Weight per meter
		Paso	Diámetro rodillo	Ancho interior	Diámetro pasador	Longitud pasador	Altura placas	Ancho placas	Paso transversal	Resis. rotura	Resis. media tracción	Peso por metro	
DIN/ISO Cadena No	ANSI Correa No	P	d1 max	b1 min	d2 max	L max	Lc max	h2 max	T max	Pt	Q min	Q0	q
		mm	mm	mm	mm	mm	mm	mm	mm	mm	kN/LB	kN	kg/m
	*35H-1	9.525	5.08	4.77	3.58	13.3	14.3	9.00	1.50	-	7.9/1795	10.8	0.41
08AH-1	40H-1	12.700	7.95	7.85	3.96	18.8	19.9	12.00	2.03	-	14.1/3205	19.1	0.82
10AH-1	50H-1	15.875	10.16	9.40	5.08	22.1	23.4	15.09	2.42	-	22.2/5045	30.2	1.25
12AH-1	60H-1	19.050	11.91	12.57	5.94	29.2	31.0	18.00	3.25	-	31.8/7227	42.7	1.87
16AH-1	80H-1	25.400	15.88	15.75	7.92	36.2	37.7	24.00	4.00	-	56.7/12886	71.4	3.10
20AH-1	100H-1	31.750	19.05	18.90	9.53	43.6	46.9	30.00	4.80	-	88.5/20114	112.4	4.52
24AH-1	120H-1	38.100	22.23	25.22	11.10	53.5	57.5	35.70	5.60	-	127.0/28864	160.9	6.60
28AH-1	140H-1	44.450	25.40	25.22	12.70	57.6	62.2	41.00	6.40	-	172.4/39182	217.3	8.30
32AH-1	160H-1	50.800	28.58	31.55	14.27	68.2	73.0	47.80	7.20	-	226.8/51545	285.8	10.30
36AH-1	180H-1	57.150	35.71	35.48	17.46	75.9	81.6	53.60	8.00	-	281.0/63863	341.8	14.83
40AH-1	200H-1	63.500	39.68	37.85	19.85	86.6	93.5	60.00	9.50	-	353.8/80409	444.5	19.16
48AH-1	240H-1	76.200	47.63	47.35	23.81	109.6	115.9	72.30	12.70	-	510.3/115977	622.5	30.4
12AH-2	60H-2	19.050	11.91	12.57	5.94	55.3	57.1	18.00	3.25	26.11	63.6/14455	84.5	3.71
16AH-2	80H-2	25.400	15.88	15.75	7.92	68.8	70.3	24.00	4.00	32.59	113.4/25773	145.3	6.15
20AH-2	100H-2	31.750	19.05	18.90	9.53	82.7	86.0	30.00	4.80	39.09	177.0/40227	225.9	9.03
24AH-2	120H-2	38.100	22.23	25.22	11.10	102.4	106.4	35.70	5.60	48.87	254.0/57727	322.7	13.13
28AH-2	140H-2	44.450	25.40	25.22	12.70	109.8	114.4	41.00	6.40	52.20	344.8/78364	437.7	16.60
32AH-2	160H-2	50.800	28.58	31.55	14.27	130.1	134.9	47.80	7.20	61.90	453.6/103091	571.6	20.20
40AH-2	200H-2	63.500	39.68	37.85	19.85	164.9	171.8	60.00	9.50	78.31	707.6/160818	894.9	38.11
12AH-3	60H-3	19.050	11.91	12.57	5.94	81.4	83.2	18.00	3.25	26.11	95.4/21682	113.9	5.54
16AH-3	80H-3	25.400	15.88	15.75	7.92	101.4	102.9	24.00	4.00	32.59	170.1/38659	203.5	9.42
20AH-3	100H-3	31.750	19.05	18.90	9.53	121.8	125.1	30.00	4.80	39.09	265.5/60341	314.8	12.96
24AH-3	120H-3	38.100	22.23	25.22	11.10	151.2	155.2	35.70	5.60	48.87	381.0/86591	444.7	19.64
28AH-3	140H-3	44.450	25.40	25.22	12.70	162.0	166.6	41.00	6.40	52.20	517.2/117545	598.4	24.90
32AH-3	160H-3	50.800	28.58	31.55	14.27	192.0	196.8	47.80	7.20	61.90	680.4/154636	787.3	30.10
40AH-3	200H-3	63.500	39.68	37.85	19.85	243.2	250.1	60.00	9.50	78.31	1061.4/241227	1228.2	57.06

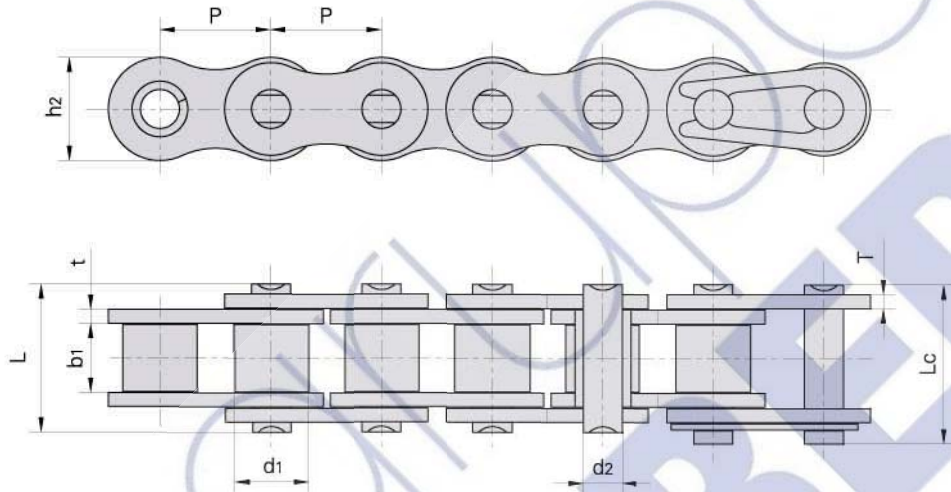
\*Bushing chain: d1 in the table indicate the external diameter of the bushing

\*Casquillo de la cadena: d1 en la tabla indican el diámetro exterior del casquillo.

www.dhchain.com

## Heavy duty series roller chains

### Cadenas de rodillos para trabajo pesado



Donghua Chain No.	Pitch	Roller diameter	Width between inner plates	Pin diameter	Pin length	Inner plate depth	Plate thickness	Ultimate tensile strength	Weight per meter
Donghua Cadena No	Paso	Diámetro rodillo	Ancho interior	Diámetro pasador	Longitud pasador	Altura placas	Ancho placas	Resis. rotura	Peso por metro
	p	d1 max	b1 min	d2 max	L max	Lc max	h2 max	Q min	q
	mm	mm	mm	mm	mm	mm	mm	kN/LB	kg/m
04BH	6.000	4.00	2.80	1.85	8.4	9.4	5.0	5.0/1136	0.14
*06BH	9.525	6.35	5.72	3.58	14.4	15.4	8.2	11.25/2557	0.51
08BH	12.700	8.51	7.85	4.45	18.8	19.9	11.8	20.6/4682	0.79
10BH	15.875	10.16	9.65	5.08	20.2	21.6	14.7	25.0/5681	1.03
12BH	19.050	12.07	11.68	5.94	25.2	26.8	16.0	40.0/9091	1.45
12BV	19.050	12.07	11.68	6.10	24.5	26.5	16.0	36.00/8182	1.43
12BHF2	19.050	12.07	13.50	5.72	28.8	30.3	16.5	35.0/7954	1.71
16BH	25.400	15.88	17.02	8.90	35.7	38.9	24.1	80.0/18182	3.11
24BH	38.100	25.40	25.40	14.63	58.6	63.4	36.2	225.0/51136	9.00
24BHF2	38.100	25.40	25.40	14.63	57.8	62.2	37.0	225.4/51227	9.10

\*straight side plates

\*Placas laterales rectas