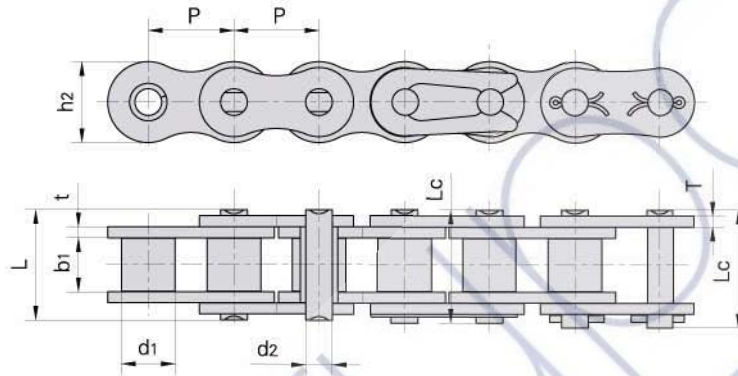


## Corrosion resistant / Nickel-plated chains

### Cadenas cromadas en níquel resistentes a la corrosión

Nickel-plated chains are suitable for outdoor conditions such as exposure to rain  
 Las cadenas cromadas de níquel son adecuadas para las condiciones al aire libre tales como la exposición a la lluvia.



Donghua Chain No.	Pitch Paso	Roller diameter Diámetro rodillo	Width between inner plates Ancho interior	Pin diameter Diámetro pasador	Pin length Longitud pasador		Inner plate depth Altura placas	Plate thickness Ancho placas	Breaking load Carga rotura	Weight per meter Peso por metro
Donghua Cadena No	P	d <sub>1</sub> max	b <sub>1</sub> min	d <sub>2</sub> max	L max	L <sub>c</sub> max	h <sub>2</sub> max	t/T max	Q	q
	mm	mm	mm	mm	mm	mm	mm	mm	kN/LB	kg/m
*25NP	6.350	3.30	3.18	2.31	7.90	8.40	6.00	0.80	3.50/795	0.15
*35NP	9.525	5.08	4.77	3.58	12.40	13.17	9.00	1.30	7.90/1795	0.33
41NP	12.700	7.77	6.25	3.58	13.75	15.00	9.91	1.30	6.67/1516	0.41
40NP	12.700	7.95	7.85	3.96	16.60	17.80	12.00	1.50	14.10/3205	0.62
50NP	15.875	10.16	9.40	5.08	20.70	22.20	15.09	2.03	22.20/5045	1.02
60NP	19.050	11.91	12.57	5.94	25.90	27.70	18.00	2.42	31.80/7227	1.50
80NP	25.400	15.88	15.75	7.92	32.70	35.00	24.00	3.25	56.70/12886	2.60
100NP	31.750	19.05	18.90	9.53	40.40	44.70	30.00	4.00	88.50/20114	3.91
120NP	38.100	22.23	25.22	11.10	50.30	54.30	35.70	4.80	127.00/28864	5.62
140NP	44.450	25.40	25.22	12.70	54.40	59.00	41.00	5.60	172.40/39182	7.50
160NP	50.800	28.58	31.55	14.27	64.80	69.60	47.80	6.40	226.80/51545	10.10
04BNP	6.000	4.00	2.80	1.85	6.80	7.80	5.00	0.60	3.00/682	0.11
05BNP	8.000	5.00	3.00	2.31	8.20	8.90	7.10	0.80	5.00/1136	0.20
#06BNP	9.525	6.35	5.72	3.28	13.15	14.10	8.20	1.30	9.00/2045	0.41
08BNP	12.700	8.51	7.75	4.45	16.70	18.20	11.80	1.60	18.00/4091	0.69
10BNP	15.875	10.16	9.65	5.08	19.50	20.90	14.70	1.70	22.40/5091	0.93
12BNP	19.050	12.07	11.68	5.72	22.50	24.20	16.00	1.85	29.00/6591	1.15
16BNP	25.400	15.88	17.02	8.28	36.10	37.40	21.00	4.15/3.1	60.00/13636	2.71
20BNP	31.750	19.05	19.56	10.19	41.30	45.00	26.40	4.5/3.5	95.00/21591	3.70
24BNP	38.100	25.40	25.40	14.63	53.40	57.80	33.20	6.0/4.8	160.0/36364	7.10
28BNP	44.450	27.94	30.99	15.90	65.10	69.50	36.70	7.5/6.0	200.00/45455	8.50
32BNP	50.800	29.21	30.99	17.81	66.00	71.00	42.00	7.0/6.0	250.00/56818	10.25

\*Bushing chain: d<sub>1</sub> in the table indicate the external diameter of the bushing.

\*Casquillo de la cadena: d<sub>1</sub> en la tabla indican el diámetro exterior del casquillo.

#Straight side plates

#Placas laterales rectas

Note: Duplex & Triplex nickel plated chains are available in all sizes  
 Double pitch zinc plated conveyor chains are available upon request

Nota: Cadena cromada en níquel doble y triple está disponible en todos los tamaños.

Cadena transportadora cromada en níquel doble está disponible bajo pedido.