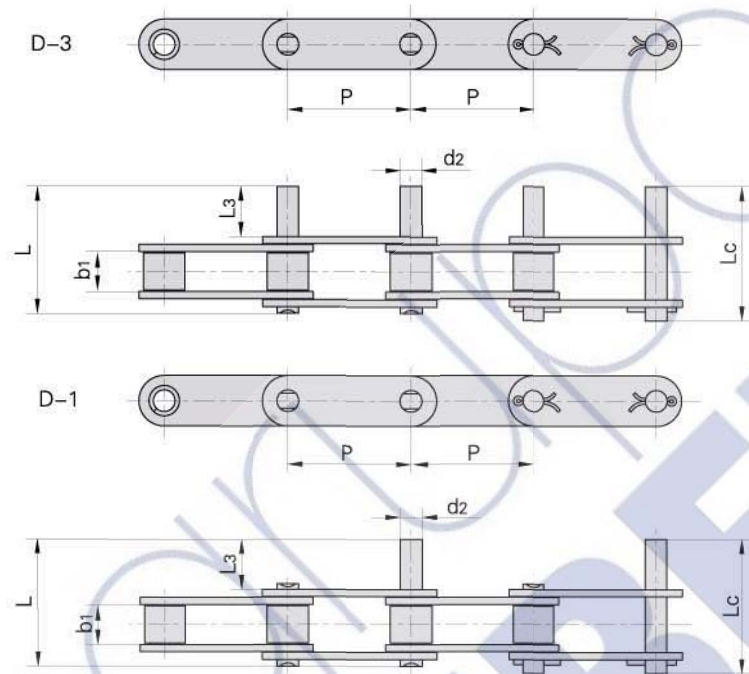


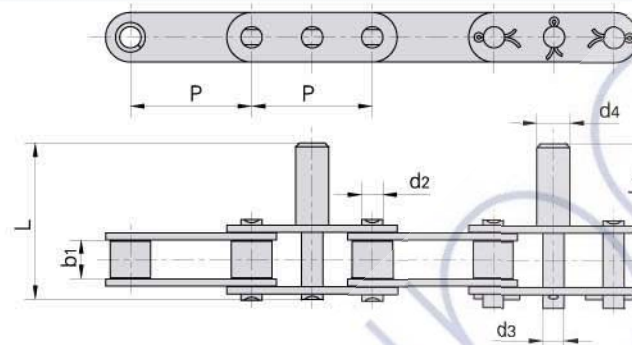
## Double pitch conveyor chain with extended pins

### Cadenas transportadoras de doble paso con pasadores prolongados

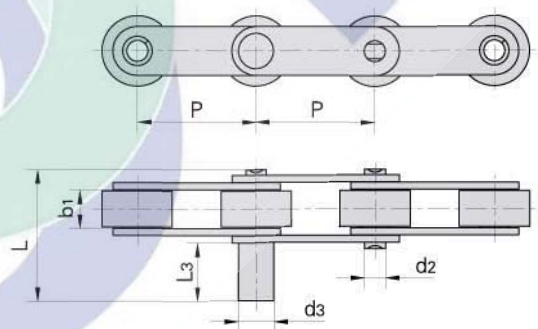


| DIN/ISO<br>Chain No.<br>DIN/ISO<br>Cadena No | ANSI<br>Chain No.<br>ANSI<br>Cadena No | P      | b1    | d2    | L3   | L     | Lc    |
|--|--|--------|-------|-------|------|-------|-------|
|  |  | mm     | mm    | mm    | mm   | mm    | mm    |
| C208A<br>C208AL                              | C2040<br>C2042                         | 25.40  | 7.85  | 3.96  | 9.5  | 25.1  | 26.2  |
| C210A<br>C210AL                              | C2050<br>C2052                         | 31.75  | 9.40  | 5.08  | 11.9 | 31.3  | 33.1  |
| C212A<br>C212AL                              | C2060<br>C2062                         | 38.10  | 12.57 | 5.94  | 14.3 | 38.6  | 40.6  |
| C212AH<br>C212AHL                            | C2060H<br>C2062H                       | 38.10  | 12.57 | 5.94  | 14.3 | 42.0  | 43.8  |
| C216A<br>C216AL                              | C2080<br>C2082                         | 50.80  | 15.75 | 7.92  | 19.1 | 50.3  | 53.3  |
| C216AH<br>C216AHL                            | C2080H<br>C2082H                       | 50.80  | 15.75 | 7.92  | 19.1 | 53.5  | 55.0  |
| C220A<br>C220AL                              | C2100<br>C2102                         | 63.50  | 18.90 | 9.53  | 23.8 | 61.8  | 66.1  |
| C220AH<br>C220AHL                            | C2100H<br>C2102H                       | 63.50  | 18.90 | 9.53  | 23.8 | 65.0  | 68.3  |
| C224AH<br>C224AHL                            | C2120H<br>C2122H                       | 76.20  | 25.22 | 11.10 | 28.6 | 79.6  | 83.6  |
| C232AH<br>C232AHL                            | C2160H<br>C2162H                       | 101.60 | 31.75 | 14.27 | 38.1 | 103.0 | 107.8 |

## Double pitch conveyor chain with extended pins Cadenas transportadoras de doble paso con pasadores prolongados

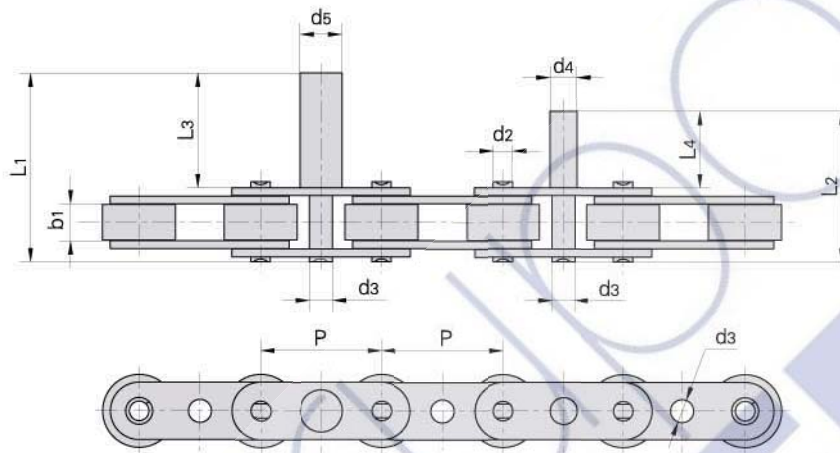


| Donghua Chain No.<br>Donghua Cadena No | P     | b1    | d2   | d3   | d4   | L3   | L    |
|--|-------|-------|------|------|------|------|------|
|  | mm    | mm    | mm   | mm   | mm   | mm   | mm   |
| C2052F2                                | 31.75 | 9.40  | 5.08 | 6.00 | 7.0  | 20.0 | 39.8 |
| C2052F14                               | 31.75 | 9.40  | 5.08 | 6.00 | 7.0  | 21.0 | 40.4 |
| C2062-D38                              | 38.10 | 12.57 | 5.94 | 5.94 | 11.1 | 24.2 | 48.6 |
| C2062-D39                              | 38.10 | 12.57 | 5.94 | 5.94 | 13.3 | 32.2 | 56.6 |
| C212AHL-D4                             | 38.10 | 12.57 | 5.94 | 5.94 | 8.0  | 25.0 | 53.0 |
| C212AHF3                               | 38.10 | 12.57 | 5.94 | 8.08 | 10.0 | 35.0 | 63.0 |
| C212AHF7                               | 38.10 | 12.57 | 5.94 | 5.94 | 12.7 | 41.2 | 69.2 |
| C212AHF8                               | 38.10 | 12.57 | 5.94 | 8.00 | 10.0 | 35.0 | 63.0 |
| C2060HF9                               | 38.10 | 12.57 | 5.94 | 7.95 | 12.7 | 41.3 | 69.3 |
| C2060HF10                              | 38.10 | 12.57 | 5.94 | 7.70 | 14.3 | 41.3 | 69.3 |
| C2060H-D23                             | 38.10 | 12.57 | 5.94 | 8.80 | 12.7 | 41.3 | 69.3 |
| C2060H-D24                             | 38.10 | 12.57 | 5.94 | 7.95 | 12.7 | 44.8 | 65.6 |
| C2060H-D31                             | 38.10 | 12.57 | 5.94 | 7.95 | 16.0 | 45.0 | 73.0 |
| C2062H-D41                             | 38.10 | 12.57 | 5.94 | 9.53 | 9.5  | 22.2 | 50.0 |

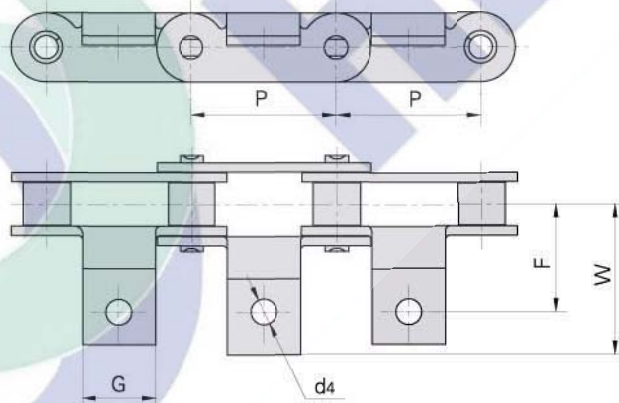


| Donghua Chain No.<br>Donghua Cadena No | P     | b1    | d2   | d3    | L3    | L    |
|--|-------|-------|------|-------|-------|------|
|  | mm    | mm    | mm   | mm    | mm    | mm   |
| C2052DF1                               | 31.75 | 9.40  | 5.08 | 7.50  | 14.15 | 33.6 |
| C210AF4                                | 31.75 | 9.40  | 5.08 | 11.00 | 34.00 | 53.7 |
| C2052-D4                               | 31.75 | 9.40  | 5.08 | 6.00  | 32.40 | 52.0 |
| C2050-D5                               | 31.75 | 9.40  | 5.08 | 8.00  | 40.00 | 59.7 |
| C212AHL-D4                             | 38.10 | 12.57 | 5.94 | 8.00  | 25.00 | 53.0 |
| C2062-D6                               | 38.10 | 12.57 | 5.94 | 12.00 | 25.00 | 49.7 |

## Double pitch conveyor chain with extended pins Cadenas transportadoras de doble paso con pasadores prolongados



| Donghua Chain No.<br>Donghua Cadena No | P     | b1  | d2   | d3  | d4  | d5   | L3   | L1   | L4   | L2   |
|--|-------|-----|------|-----|-----|------|------|------|------|------|
|  | mm    | mm  | mm   | mm  | mm  | mm   | mm   | mm   | mm   | mm   |
| C2052F1                                | 31.75 | 9.4 | 5.08 | 6.0 | 7.0 | 11.0 | 30.0 | 49.8 | 20.0 | 39.8 |



| Donghua Chain No.<br>Donghua Cadena No | P     | G    | F    | W    | d4  |
|--|-------|------|------|------|-----|
|  | mm    | mm   | mm   | mm   | mm  |
| C2050A6                                | 31.75 | 16.0 | 23.4 | 32.8 | 5.5 |