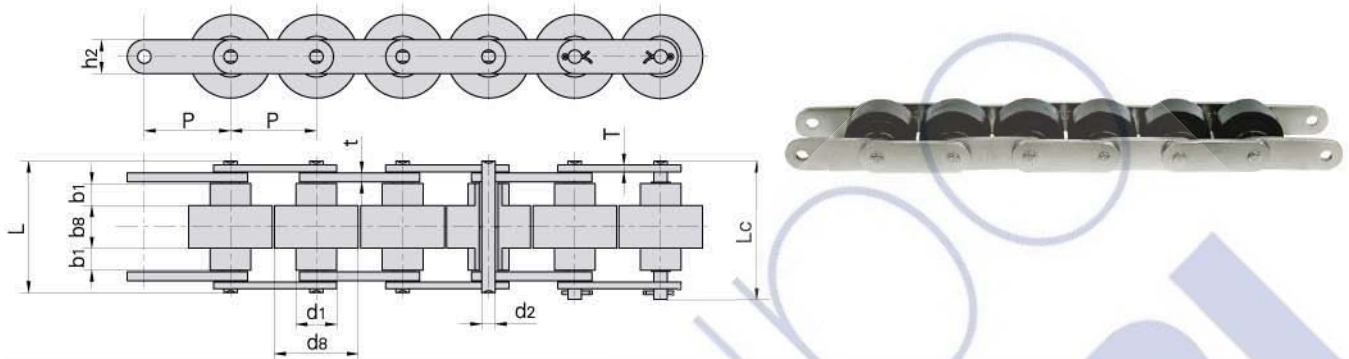
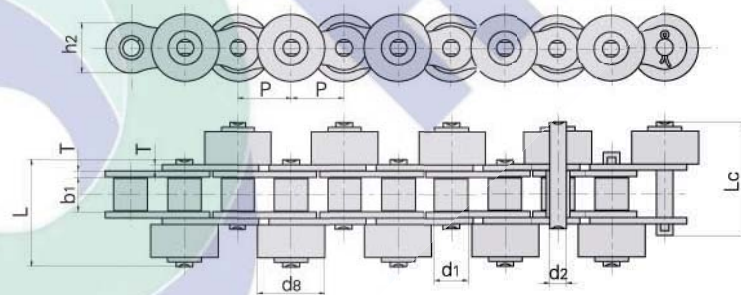


Double plus chains Cadenas de transporte



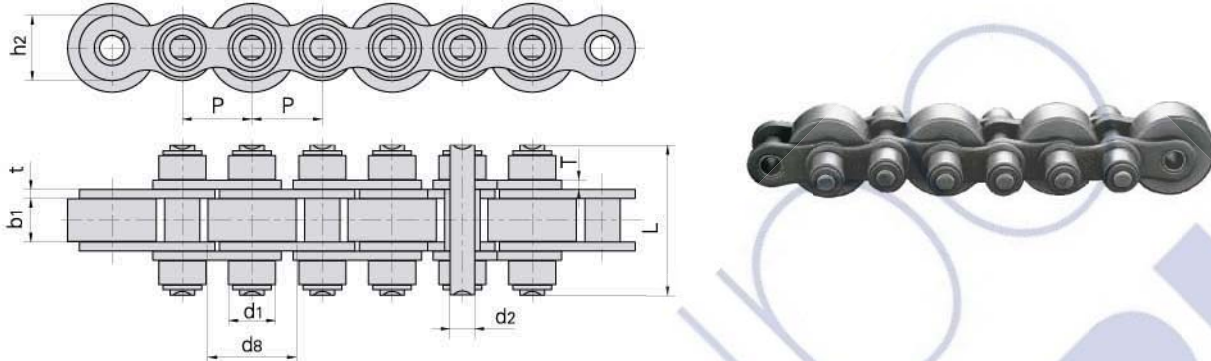
JB Chain No. JB Cadena No	Donghua Chain No. Donghua Cadena No	Pitch Paso P	Roller dimension Dimensiones rodillo				Pin diameter Diámetro pasador d2 max	Pin length Longitud pasador		Plate dimension Dimensiones de las placas			Weight per meter Peso por metro q
			d1 max	d8 max	b1 min	b8 max		L max	Lc max	h2 max	T max	t max	
			mm	mm	mm	mm		mm	mm	mm	mm	mm	
BS25-C206B	C2030W	19.05	11.91	18.3	4.00	8.0	3.28	24.0	25.6	8.20	1.30	1.50	0.52
BS25-C208A	C2040W	25.40	15.88	24.6	5.70	10.3	3.96	31.0	32.8	11.70	1.50	1.50	0.79
BS25-C210A	C2050W	31.75	19.05	30.6	7.10	13.0	5.08	39.5	41.2	15.00	2.03	2.03	1.36
BS25-C212A	C2060HW	38.10	22.23	36.6	8.50	15.5	5.94	48.8	51.5	18.00	3.25	3.25	2.19
BS25-C216A	C2080W	50.80	28.58	49.0	11.00	21.5	7.92	66.2	70.0	24.00	4.00	5.00	4.06
BS30-C206B		19.05	9.00	18.3	4.50	9.1	3.28	26.3	29.6	7.28	1.30	1.50	0.50
BS30-C208A		25.40	11.91	24.6	6.10	12.5	3.96	35.6	39.5	9.60	1.50	2.00	0.83
BS30-C210A		31.75	14.80	30.6	7.50	15.0	5.08	43.0	47.1	12.20	2.00	2.40	1.27
BS30-C212A		38.10	18.00	37.0	9.75	20.0	5.94	58.1	62.7	15.00	3.00	4.00	2.14
BS30-C216A		50.80	22.23	49.0	12.00	25.2	7.92	71.9	77.3	18.60	4.00	5.00	3.55



Donghua Chain No. Donghua Cadena No	Pitch Paso P	Roller diameter Diámetro rodillo		Width between inner plates Ancho interior b1 min	Pin diameter Diámetro pasador d2 max	Pin length Longitud pasador		Plate dimension Dimensiones de las placas		Ultimate tensile strength Resis. rotura Q min	Average tensile strength Resis. media tracción Q0	Weight per meter Peso por metro q
		d1 max	d8 max			L max	Lc max	h2 max	T max			
		mm	mm			mm	mm	mm	mm			
*40S	12.700	7.95	15.88	7.85	3.96	25.8	27.0	12.0	1.50	13.8/3102	17.5	0.9
40-PSR	12.700	7.95	15.88	7.85	3.96	25.8	27.0	12.0	1.50	13.8/3102	17.5	1.6
50-SR-C	15.875	10.16	19.05	9.40	5.08	31.8	34.0	15.1	2.03	21.8/4900	29.4	2.4
*60S	19.050	11.91	22.23	12.57	5.94	40.0	42.5	18.0	2.42	31.8/7227	41.5	1.9
*80S	25.400	15.88	28.58	15.75	7.92	51.3	54.3	24.0	3.25	56.7/12886	69.4	3.6
80S-C	25.400	15.88	28.58	15.75	7.92	51.3	54.3	24.0	3.25	56.7/12886	69.4	5.8

Note: * means roller made in plastic.
Nota: * rodillos fabricados en plástico

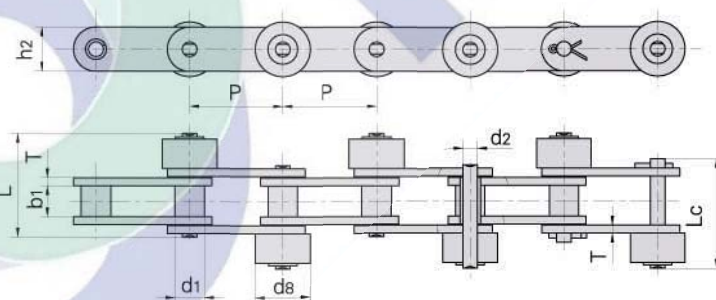
Double plus chains Cadenas de transporte



Donghua Chain No. Donghua Cadena No	Pitch	Roller diameter		Width between inner plates	Pin diameter	Pin length	Plate dimension		Ultimate tensile strength	Average tensile strength
	Paso	Diámetro rodillo		Ancho interior	Diámetro pasador	Longitud pasador	Dimensiones de las placas		Resis. rotura	Resis. media tracción
	P mm	d1 max mm	d8 max mm	b1 min mm	d2 max mm	L max mm	h2 max mm	t/T max mm	Q min kN/LB	Q0 kN
08BS-27-P16/C16	12.70	8.51	16.0	7.75	4.45	27.0	11.8	1.60/1.50	18.0/4091	19.8
12BS	19.05	12.07	28.0	11.68	5.72	45.0	16.0	1.85	28.9/6568	31.7
12BS-40-P28/C28	19.05	12.07	28.0	11.68	5.72	40.0	16.0	1.85	29.0/6591	31.7
12BS-43-P26/C26	19.05	12.07	26.0	11.68	5.72	43.0	16.0	1.85	29.0/6591	31.7
12BS-43-P28/C28	19.05	12.07	28.0	11.68	5.72	43.0	16.0	1.85	29.0/6591	31.7
12BS-48-P24/C24	19.05	12.07	24.0	11.68	5.72	48.0	16.0	1.85	29.0/6591	31.7
12BS-48-P26/C26	19.05	12.07	26.0	11.68	5.72	48.0	16.0	1.85	29.0/6591	31.7
12BS-48-P28/C28	19.05	12.07	28.0	11.68	5.72	48.0	16.0	1.85	29.0/6591	31.7
16BS-65-P38/C38	25.40	15.88	38.0	17.02	8.28	65.0	21.0	4.15/3.10	60.0/13636	72.8

Note: P means roller made in plastic, C means roller made in steel.

Nota: P significa rodillo fabricado en plástico, C significa rodillo fabricado en acero.



Donghua Chain No. Donghua Cadena No	Pitch	Roller diameter		Width between inner plates	Pin diameter	Pin length		Plate dimension		Ultimate tensile strength	Average tensile strength	Weight per meter
	Paso	Diámetro rodillo		Ancho interior	Diámetro pasador	Longitud pasador		Dimensiones de las placas		Resis. rotura	Resis. media tracción	Peso por metro
	P mm	d1 max mm	d8 max mm	b1 min mm	d2 max mm	L max mm	Lc max mm	h2 max mm	T max mm	Q min kN/LB	Q0 kN	q kg/m
C2040S2-PSR	25.40	7.95	15.88	7.85	3.96	25.80	27.0	12.0	1.50	13.8/3137	15.18	0.99
C2050S	31.75	10.16	19.05	9.40	5.08	31.80	34.0	15.0	2.03	21.8/4955	23.90	1.52
C2052SF1	31.75	19.05	27.00	9.40	5.08	35.00	37.3	15.0	2.03	21.8/4955	23.90	3.06
C2060HS	38.10	11.91	22.23	12.57	5.94	44.00	46.6	18.0	3.25	31.1/7069	42.70	1.78