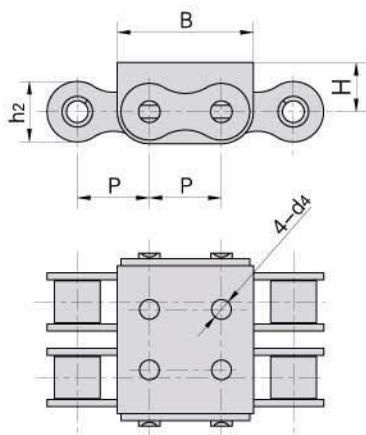
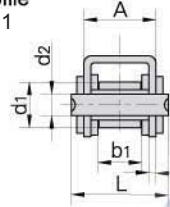
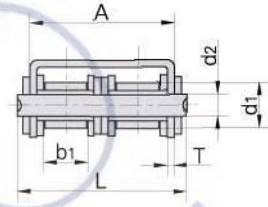
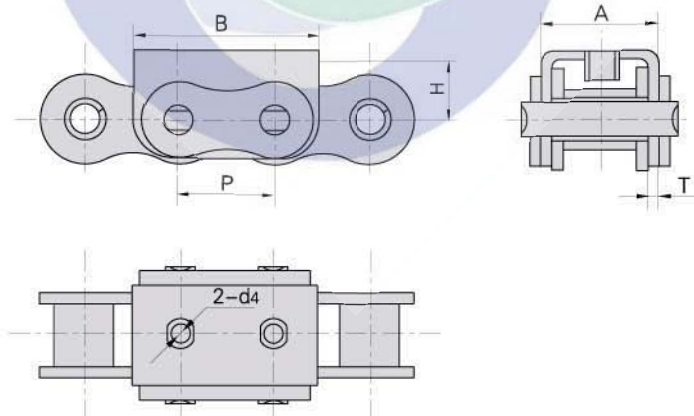


Roller chain with U type attachments

Accesorios de tipo U para cadenas de rodillos


 With U1 profile
Con perfil U1

 With U2 profile
Con perfil U2


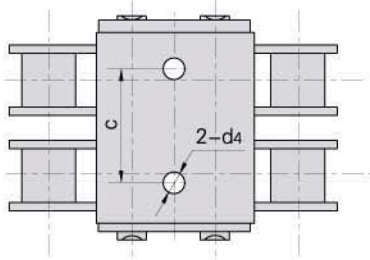
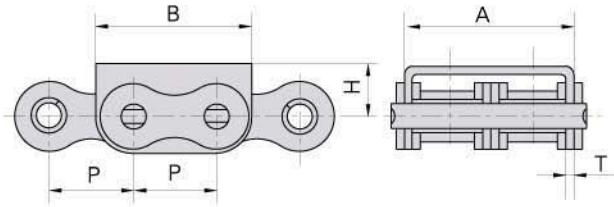
Donghua Chain No. Donghua Cadena No	Pitch	Roller diameter	Width between inner plates	Pin diameter	Pin length	Plate and attachment dimension						Ultimate tensile strength	Weight per meter
	Paso	Diámetro rodillo	Ancho interior	Diámetro pasador	Longitud pasador	Dimensiones pacas y accesorio						Resis. rotura	Peso por metro
	P	d1 max	b1 min	d2 max	L max	h2 max	A	B	H	d4	T	Q min	q
	mm	mm	mm	mm	mm	mm	mm	mm	mm	mm	mm	kN/LB	kg/m
08B-U1	12.700	8.51	7.75	4.45	20.0	11.8	14.60	24.2	8.3	4	1.60	18.0/4091	1.13
08B-U2	12.700	8.51	7.75	4.45	34.3	11.8	28.40	24.2	8.3	4	1.50	32.0/7273	1.96
08B-U2F9	12.700	8.51	7.75	4.45	47.9	12.0	28.40	26.0	8.3	4	1.50	29.0/6589	2.00
10B-U1	15.875	10.16	9.65	5.08	23.2	14.7	16.80	30.0	11.3	5	1.60	19.0/4318	1.53
10B-U2	15.875	10.16	9.65	5.08	39.7	14.7	33.30	30.0	11.3	5	1.50	44.5/10114	2.47
12B-U1	19.050	12.07	11.68	5.72	25.7	16.0	19.60	36.0	13.0	5	1.85	29.0/6591	1.90
12B-U2	19.050	12.07	11.68	5.72	45.3	16.0	39.10	36.0	12.0	5	1.85	57.8/13136	3.03
16A-U1	25.400	15.88	15.75	7.92	37.2	24.0	27.50	46.0	16.0	7	2.42	42.0/9545	3.87
16B-U1	25.400	15.88	17.02	8.28	39.7	21.0	29.05	49.0	15.4	6	1.60	58.0/13407	3.73
16B-U2	25.400	15.88	17.02	8.28	71.7	21.0	60.93	49.0	16.2	-	1.60	106/26094	6.15
20BF2	31.750	19.05	19.56	10.19	48.0	26.4	36.00	57.0	21.0	8	3.50	85.0/19318	6.01
20B-U1	31.750	19.05	19.56	10.19	48.0	26.4	36.00	57.0	21.0	-	3.50	85.0/19318	6.00
24B-U1	38.100	25.40	25.40	14.63	61.6	33.2	47.00	72.6	28.0	10	4.50	160.0/36363	10.88



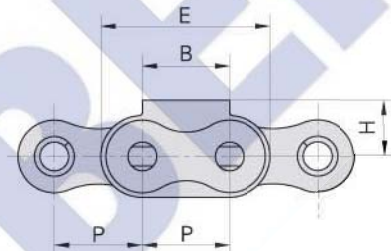
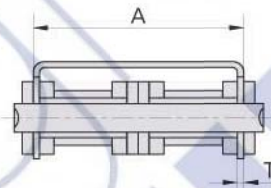
Donghua Chain No. Donghua Cadena No	P	A	B	d4	H	T
	mm	mm	mm	mm	mm	mm
10B-U1F1	15.875	16.8	30.0	M5	11.30	1.60
10B-U1F7	15.875	16.8	30.0	-	10.30	1.60
12B-U1F10	19.050	19.6	36.0	M5	13.00	1.85
16A-U1F2	25.400	27.3	49.5	M6	16.45	2.30
16B-U1F3	25.400	30.3	49.5	M6	16.45	2.30
16B-U1F4	25.400	29.8	47.8	M5	15.00	2.00
16A-U1F7	25.400	27.3	49.5	M6	16.45	2.30
24B-U1F4	38.100	47.0	72.6	-	28.00	4.50
C24B-U1	38.100	47.0	72.6	10	28.45	4.50

Roller chain with U type attachments

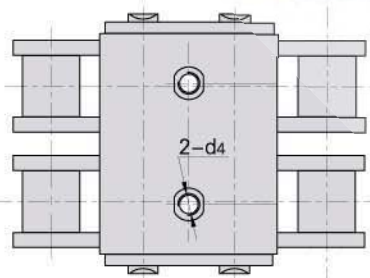
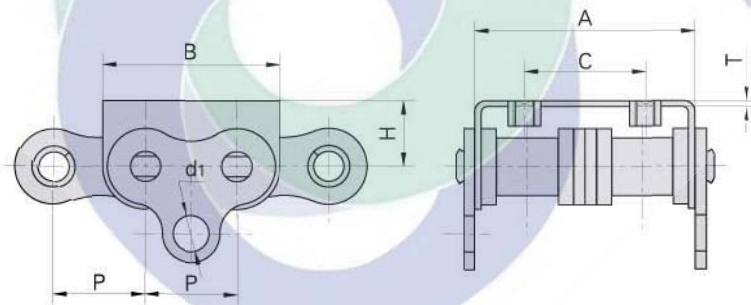
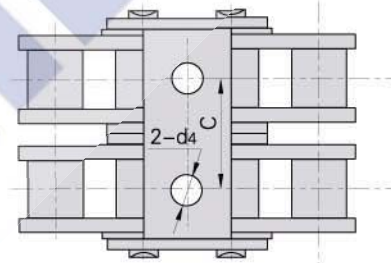
Accesorios de tipo U para cadenas de rodillos



Donghua Chain No.	P	A	B	C	d4	H	T
Donghua Cadena No	mm	mm	mm	mm	mm	mm	mm
08B-U2F2	12.700	28.4	24.2	17.5	3.3	8.3	1.50
10A-U2F1	15.875	36.5	29.0	17.5	3.3	12.0	2.03
12B-U2F7	19.050	38.9	36.0	17.5	3.3	13.2	1.85
24B-U1F4	38.100	47.0	72.6	17.5	3.3	28.0	4.50



Donghua Chain No.	P	A	B	C	d4	E	H	T
Donghua Cadena No	mm	mm	mm	mm	mm	mm	mm	mm
16B-U2F1	25.4	60.93	25.0	33.5	9.0	49.0	16.2	1.6



Donghua Chain No.	P	A	B	d4	H	T	C	d1
Donghua Cadena No	mm	mm	mm	mm	mm	mm	mm	mm
16B-U2F2	25.4	60.93	49	M6	18.2	1.6	33.5	10
16B-U2F3	25.4	60.93	49	M6	16.2	1.6	33.5	10