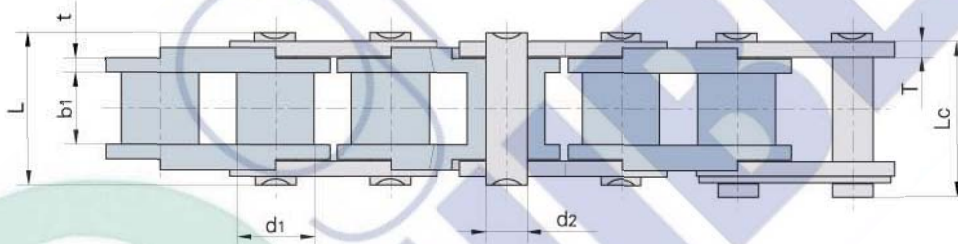
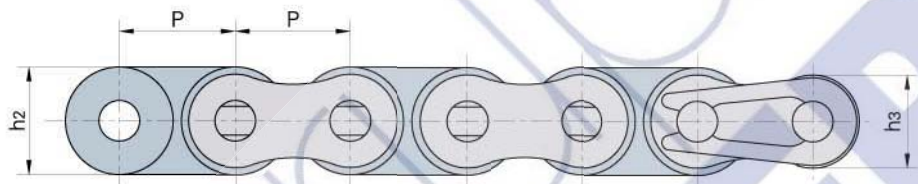


## Plastic chains Cadenas de plástico

Engineering plastic inner link light-duty conveyor chains

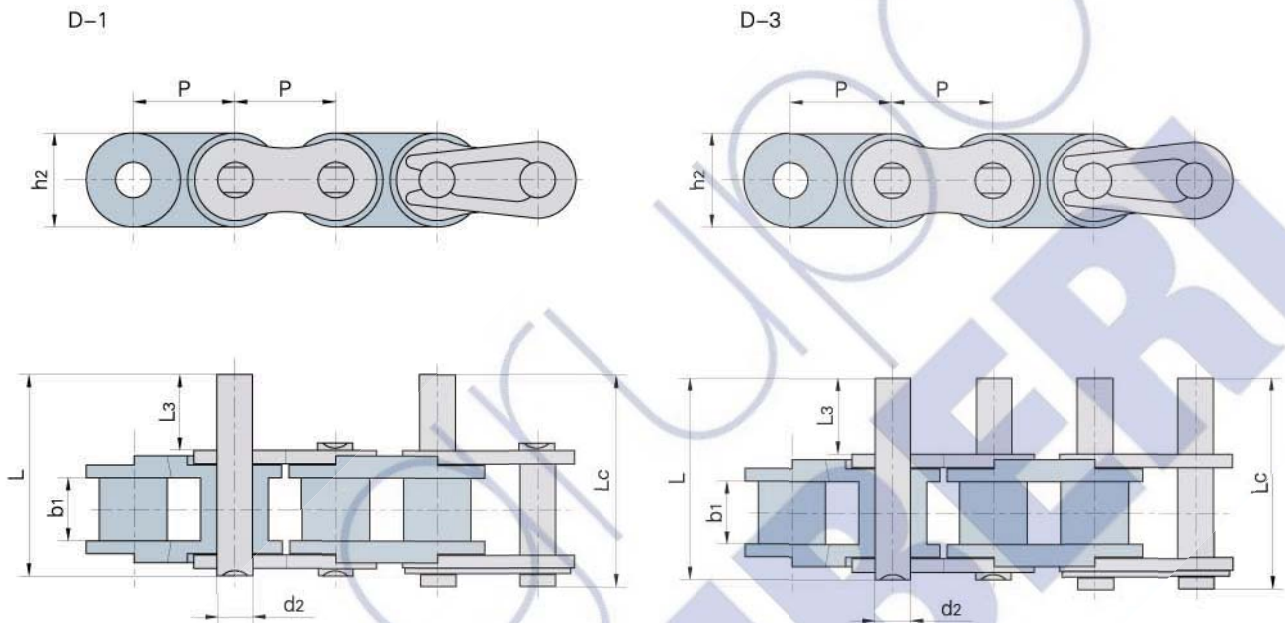
Cadenas de transporte de carga ligera enlace interno de plásticos de ingeniería.



Donghua Chain No. Donghua Cadena No	Pitch	Roller diameter	Width between inner plates	Pin diameter	Pin length		Plate depth		Plate thickness	Ultimate tensile strength
	Paso	Diámetro rodillo	Ancho interior	Diámetro pasador	Longitud pasador		Altura placas		Ancho placas	Resis. rotura
	P	d1 max	b1 min	d2 max	L max	Lc max	h2 max	h3 max	t/T	Q min
	mm	mm	mm	mm	mm	mm	mm	mm	mm	kN/LB
04CSPa	6.350	3.30	3.10	2.31	7.9	8.4	6.0	5.06	0.80	0.6/136
06CSPa	9.525	5.08	4.68	3.58	12.4	13.2	9.0	7.80	1.30	1.1/250
08ASPa	12.700	7.92	7.85	3.96	16.6	17.8	12.0	10.40	1.50	2.5/568
10ASPa	15.875	10.16	9.40	5.08	20.7	22.2	15.1	13.00	2.03	3.5/795
12ASpa	19.050	11.91	12.57	5.94	25.9	27.7	18.0	15.60	2.42	4.5/1023
16ASpa	25.400	15.88	15.75	7.92	32.7	35.0	24.0	20.50	3.25	7.5/1023
08BSPa	12.700	8.51	7.75	4.45	16.7	18.2	11.8	10.60	1.60	2.5/568
10BSPa	15.875	10.16	9.65	5.08	19.5	20.9	14.7	13.70	1.70	3.5/795
12BSpa	19.050	12.07	11.68	5.72	22.5	24.2	16.0	15.00	1.85	4.2/1023
16BSpa	25.400	15.88	17.02	8.28	36.1	37.4	21.0	21.00	4.15/3.1	7.5/1023

## Plastic chains Cadenas de plástico

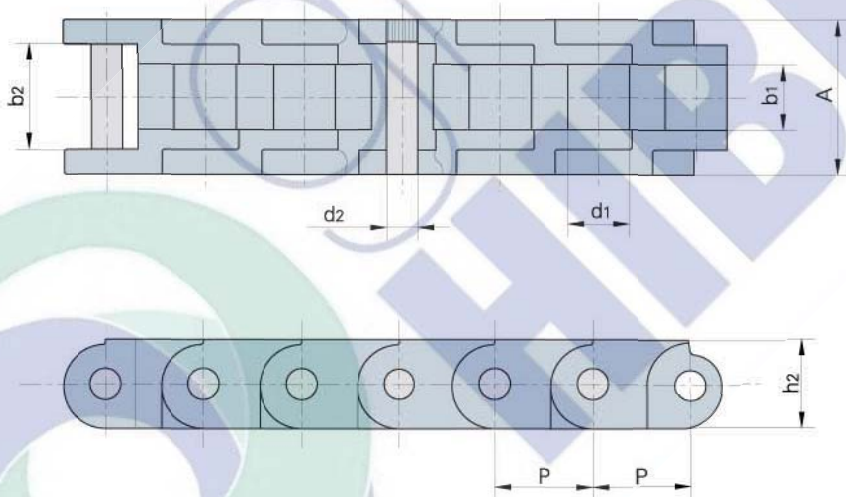
Engineering plastic inner link light-duty conveyor chains  
Cadenas de transporte de carga ligera enlace interno de plásticos de ingeniería.



Donghua Chain No. Donghua Cadena No	P	b1	d2	h2	L3	L	Lc
	mm	mm	mm	mm	mm	mm	mm
06CSPa	9.525	4.68	3.58	9.0	9.5	20.8	21.6
08ASPa	12.700	7.85	3.96	12.0	9.5	25.1	26.2
10ASPa	15.875	9.40	5.08	15.1	11.9	31.3	33.1
12ASPa	19.050	12.57	5.94	18.0	14.3	38.6	40.6
16ASPa	25.400	15.75	7.92	24.0	19.1	50.3	53.3
08BSPa	12.700	7.75	4.45	11.8	9.5	25.1	26.6
10BSPa	15.875	9.65	5.08	14.7	11.9	30.1	31.5
12BSPa	19.050	11.68	5.72	16.0	14.3	35.4	37.1
16BSPa	25.400	17.02	8.28	21.0	19.1	53.0	54.3

**Plastic chains**  
**Cadenas de plástico**

FÖRDERKETTEN



Donghua Chain No. Donghua Cadena No	P	b1	b2	d2	d1	A	h2	Carga máxima admisible Max allowed load
	mm	mm	mm	mm	mm	mm	mm	KN
PD60	19.05	12.7	20.7	6	11.94	30	17.3	0.88