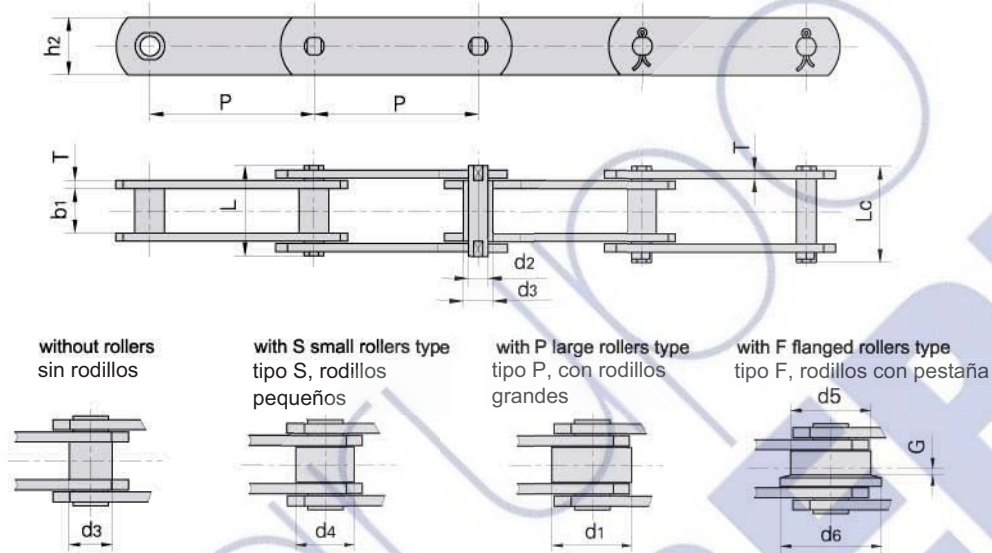


Conveyor chains (FV series) Cadenas transportadoras (Serie FV)



DIN Chain No. DIN Cadena No	Pitch Paso		Roller dimension Dimensiones rodillo					Bush diameter Diámetro casquillo					
	P		d1	d4	d5	d6	G	d3					
	mm		max mm	max mm	max mm	max mm	mm	max mm					
FV40	50.0	63.0	80.0	100.0	125.0	-	-	32.0	20.0	40.0	50.0	4.0	15.0
FV63	63.0	80.0	100.0	125.0	160.0	-	-	40.0	26.0	50.0	63.0	5.0	18.0
FV90	63.0	80.0	100.0	125.0	160.0	200.0	250.0	48.0	30.0	63.0	78.0	6.5	20.0
FV112	100.0	125.0	160.0	200.0	250.0	-	-	55.0	32.0	72.0	90.0	7.5	22.0
FV140	100.0	125.0	160.0	200.0	250.0	-	-	60.0	36.0	80.0	100.0	9.0	26.0
FV180	125.0	160.0	200.0	250.0	315.0	-	-	70.0	42.0	100.0	125.0	13.0	30.0
FV250	160.0	200.0	250.0	315.0	400.0	-	-	80.0	50.0	125.0	155.0	15.0	36.0
FV315	160.0	200.0	250.0	315.0	400.0	-	-	90.0	60.0	140.0	175.0	18.0	42.0

DIN Chain No. DIN Cadena No	Width between inner plates Ancho interior	Pin diameter Diámetro rodillo	Pin length Longitud pasador		Plate depth Altura placas	Plate thickness Ancho placas	Ultimate tensile strength Resis. rotura	
	b1	d2	L	Lc	h2	T	Q	*Q
	min mm	max mm	min mm	max mm	max mm	max mm	min kN/LB	min kN/LB
FV40	18.0	10.0	36.0	39.0	25.0	3.0	40.0/9091	47.0/10681
FV63	22.0	12.0	45.0	48.5	30.0	4.0	63.0/14317	75.0/17045
FV90	25.0	14.0	53.0	56.5	35.0	5.0	90.0/20453	115.0/26136
FV112	30.0	16.0	62.0	66.0	40.0	6.0	112.0/25452	170.0/38636
FV140	35.0	18.0	67.0	71.5	45.0	6.0	140.0/31815	180.0/40908
FV180	45.0	20.0	86.0	92.0	50.0	8.0	180.0/40908	250.0/56817
FV250	55.0	26.0	97.0	103.5	60.0	8.0	250.0/56817	300.0/68181
FV315	65.0	30.0	113.0	126.5	70.0	10.0	315.0/71591	480.0/109089

*Q: Higher breaking load with hardened plates

*Q: Placas endurecidas, mayor carga de rotura