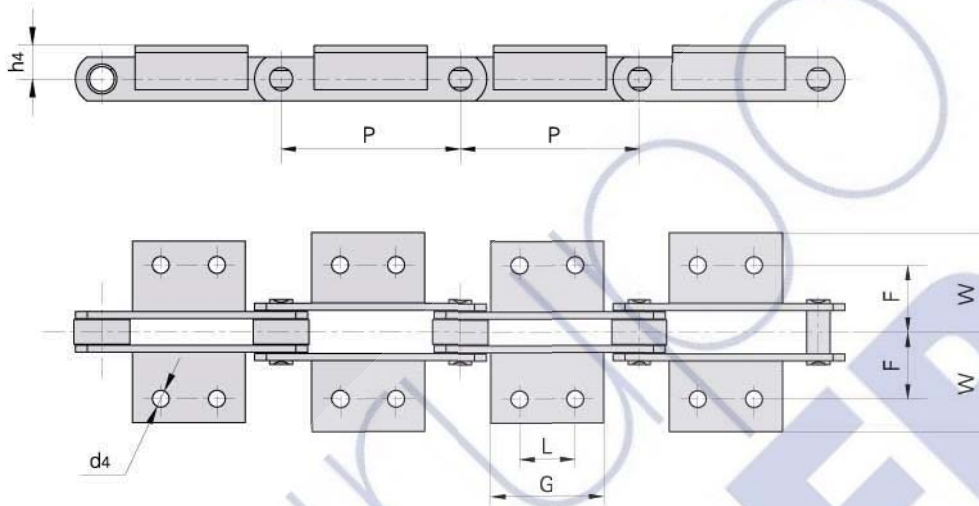


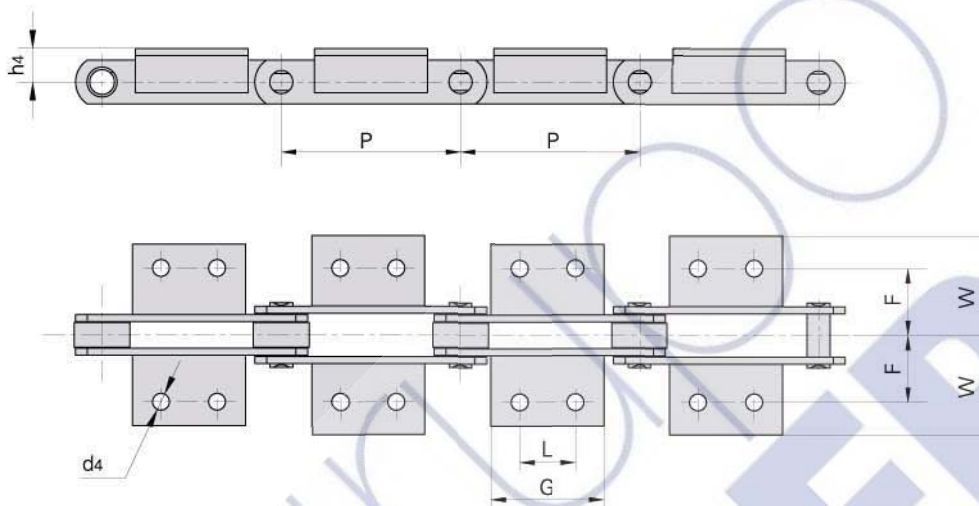
Conveyor chain with attachments (FV series) Accesorios para cadenas transportadoras (Serie FV)



DIN Chain No. DIN Cadena No	P	L	G	d4	F	W	h4
	mm	mm	mm	mm	mm	mm	mm
FV40	50.0	△	45.0	6.5	25.0	40.5	20.0
	63.0	△	31.0				
	80.0	25.0	45.0				
	100.0	30.0	50.0				
FV63	125.0	30.0	60.0	8.4	34.0	50.0	30.0
	63.0	△	40.0				
	80.0	25.0	45.0				
	100.0	30.0	50.0				
	125.0	40.0	60.0				
FV90	160.0	50.0	70.0	8.4	40.0	64.0	35.0
	63.0	△	30.0				
	80.0	25.0	45.0				
	100.0	30.0	50.0				
	125.0	40.0	60.0				
	160.0	50.0	70.0				
FV112	200.0	60.0	80.0	11.0	50.0	70.0	40.0
	250.0	65.0	85.0				
	100.0	30.0	50.0				
	125.0	40.0	65.0				
	160.0	50.0	75.0				
	200.0	65.0	90.0				
	250.0	80.0	105.0				

△ Attachments with 1 hole
△ Accesorios con un agujero

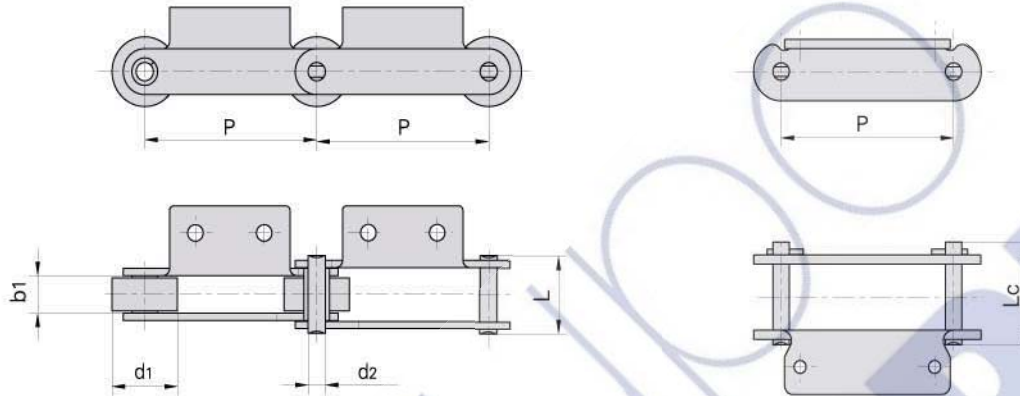
Conveyor chain with attachments (FV series) Accesorios para cadenas transportadoras (Serie FV)



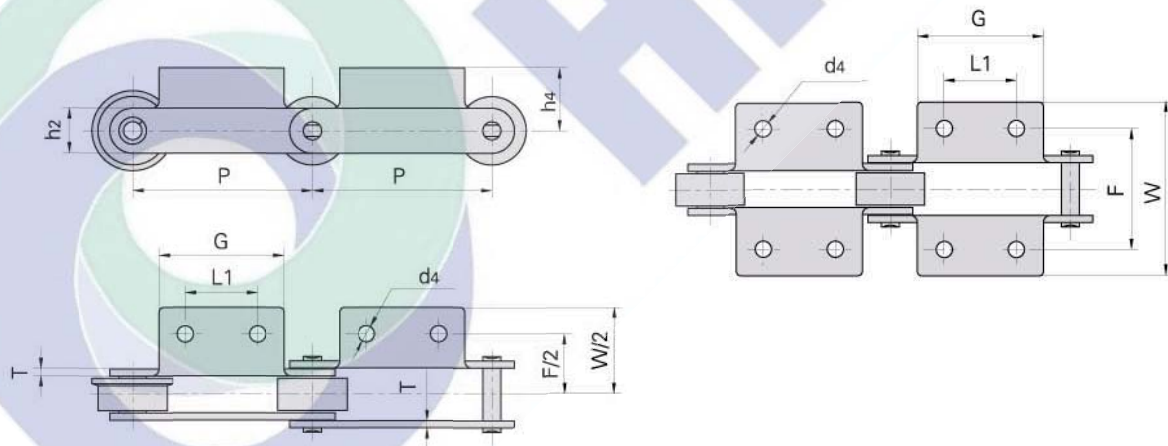
DIN Chain No. DIN Cadena No	P mm	L mm	G mm	d4 mm	F mm	W mm	h4 mm
FV140	100.0	30.0	55.0	11.0	50.0	81.0	45.0
	125.0	40.0	65.0				
	160.0	50.0	75.0				
	200.0	65.0	90.0				
FV180	250.0	80.0	105.0	13.0	64.0	91.0	45.0
	125.0	35.0	63.0				
	160.0	50.0	80.0				
	200.0	65.0	95.0				
FV250	250.0	80.0	110.0	14.0	69.0	106.0	55.0
	315.0	100.0	130.0				
	160.0	50.0	80.0				
	200.0	65.0	95.0				
FV315	250.0	80.0	110.0	14.0	85.0	130.0	60.0
	315.0	100.0	130.0				
	160.0	△	50.0				
	200.0	65.0	95.0				
	400.0	100.0	130.0				

△ Attachments with 1 hole
△ Accesorios con un agujero

Conveyor chain with attachments (FV series) Accesorios para cadenas transportadoras (Serie FV)



Donghua Chain No. Donghua Cadena No	Pitch	Roller diameter	Width between inner plates	Pin diameter	Pin length		Ultimate tensile strength	Average tensile strength	Weight per meter
	Paso	Diámetro rodillo	Ancho interior	Diámetro pasador	Longitud pasador		Resis. rotura	Resis. media tracción	Peso por metro
	P	d1 max	b1 min	d2 max	L max	Lc max	Q min	Q0	q
	mm	mm	mm	mm	mm	mm	kN/LB	kN	kg/m
FV90A2F1-P-85	85.00	50.00	25.00	14.00	52.0	56.5	90.0/20250	100.0	10.15
FV90A2F1-P-100	100.00	50.00	25.00	14.00	52.0	56.5	90.0/20250	100.0	8.74
FV112F1A1-P-100	100.00	55.00	30.00	16.00	71.0	76.5	180.0/40492	200.0	14.30
FV112F1A1-P-80	80.00	55.00	30.00	16.00	71.0	76.5	180.0/40492	200.0	16.60



Donghua Chain No. Donghua Cadena No	P	L1	G	F	W	h4	h2	d4	T
	mm	mm	mm	mm	mm	mm	mm	mm	mm
FV90A2F1-P-85	85.00	40.00	60.00	80.0	109.2	40.0	35.0	9.5	5.00
FV90A2F1-P-100	100.00	40.00	60.00	80.0	109.2	40.0	35.0	9.5	5.00
FV112F1A1-P-100	100.00	△	50.00	120.0	164.0	50.0	40.0	15.0	8.00
FV112F1A1-P-80	80.00	△	50.00	120.0	164.0	50.0	40.0	15.0	8.00

△ Attachments with 1 hole

△ Accesorios con un agujero