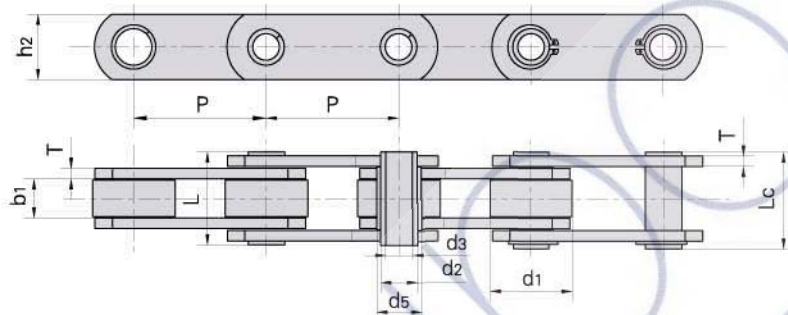
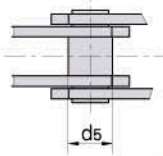
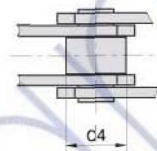
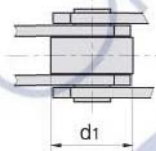
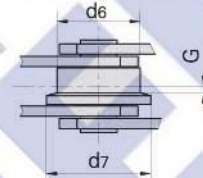


# Hollow pin conveyor chains (FVC series)

## Cadenas transportadoras con pasadores huecos (Serie FVC)


 without rollers  
sin rodillos

 with S small rollers type  
tipo S, rodillos  
pequeños

 with P large rollers type  
tipo P, con rodillos  
grandes

 with F flanged rollers type  
tipo F, rodillos con pestaña


DIN Chain No. DIN Cadena No	Pitch		Roller dimension					d1 max	d4 max	d6 max	d7 max	G
	Paso		Dimensiones rodillo									
	P		d1	d4	d6	d7	G					
	mm	mm	mm	mm	mm	mm	mm	mm	mm	mm	mm	
FVC63	63.0	80.0	100.0	125.0	160.0	-	-	40.0	26.0	50.0	63.0	5.0
FVC90	63.0	80.0	100.0	125.0	160.0	200.0	250.0	48.0	30.0	63.0	78.0	6.5
FVC112	100.0	125.0	160.0	200.0	250.0	-	-	55.0	32.0	72.0	90.0	7.5
FVC140	100.0	125.0	160.0	200.0	250.0	-	-	60.0	36.0	80.0	100.0	9.0
FVC180	125.0	160.0	200.0	250.0	315.0	-	-	70.0	42.0	100.0	125.0	13.0
FVC250	160.0	200.0	250.0	315.0	400.0	-	-	80.0	50.0	125.0	155.0	15.0
FVC315	160.0	200.0	250.0	315.0	400.0	-	-	90.0	60.0	140.0	175.0	18.0

DIN Chain No. DIN Cadena No	Width between inner plates	Pin diameter	Bush diameter	Pin length	Plate thickness	Plate depth	Ultimate tensile strength		
	Ancho interior	Diámetro rodillo	Diámetro casquillo	Longitud pasador	Ancho placas	Altura placas	Resis. rotura		
	b1 min mm	d2 max mm	d3 min mm	d5 max mm	L max mm	Lc max mm	T max mm	h2 max mm	Q min kN/LB
FVC63	22.0	12.0	8.0	18.0	45.0	50.5	4.0	30.0	46.0/10454
FVC90	25.0	14.0	10.0	20.0	53.0	56.5	5.0	35.0	73.0/16590
FVC112	30.0	16.0	11.0	22.0	62.0	63.0	6.0	40.0	90.0/20454
FVC140	35.0	18.0	12.0	26.0	67.0	68.5	6.0	45.0	110.0/25000
FVC180	45.0	20.0	14.0	30.0	86.0	88.0	8.0	50.0	145.0/32954
FVC250	55.0	26.0	18.0	36.0	97.0	103.5	8.0	60.0	215.0/48863
FVC315	65.0	30.0	20.0	42.0	117.0	121.5	10.0	70.0	295.0/67044