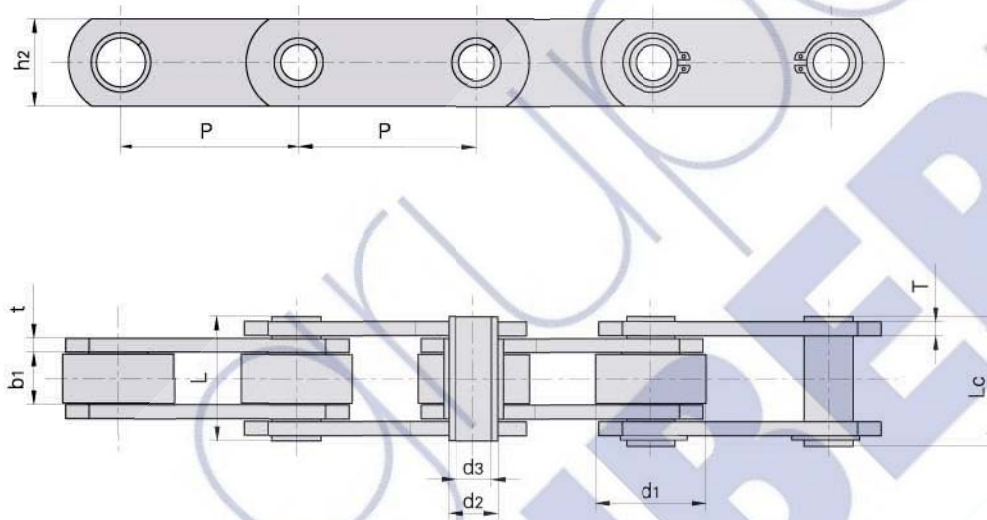


Non-standard hollow pin conveyor chains

Cadenas transportadoras no estándar con pasadores huecos



Donghua Chain No. Donghua Cadena No	Pitch	Roller diameter	Width between inner plates	Pin diameter			Pin length		Inner plate depth	Plate thickness	Ultimate tensile strength	Average tensile strength	Weight per meter
	Paso	Diámetro rodillo	Ancho interior	Diámetro pasador			Longitud pasador		Altura placas	Ancho placas	Resis. rotura	Resis. media tracción	Peso por metro
	P	d1 max	b1 min	d2 max	d3 min	L max	Lc max	h2 max	t/T max	Q min	Q0	q	
	mm	mm	mm	mm	mm	mm	mm	mm	mm	kN/LB	kN	kg/m	
MC56F1-S-80	80.00	30.00	24.00	16.00	10.20	45.5	47.0	35.0	4.0	56.0/12600	62.0	4.64	
MC56F2-P-100	100.00	50.00	23.00	16.00	10.20	45.5	47.0	35.0	4.0	56.0/12600	62.0	6.27	
MC112F1-P-100	100.00	70.00	32.00	22.00	16.30	67.0	68.5	50.0	6.0	112.0/25195	123.2	14.91	
MC150F2-P-110	110.00	66.70	25.40	26.90	20.20	58.0	60.5	51.0	7.1/5.1	106.7/24003	118.0	13.50	
FVC63F1-B-40	40.00	18.00	22.00	12.00	8.20	47.5	49.0	35.0	5.0	46.0/10348	51.0	5.34	
FVC63F2-B-50	50.00	17.00	22.00	12.00	8.20	41.0	42.0	25.0	3.0	30.0/6750	33.0	2.24	
FVC63F3-P-63	63.00	40.00	22.00	11.70	8.10	44.0	46.0	30.0	4.0	46.0/10348	51.0	5.83	
FVC90F1-P-63	63.00	42.00	25.00	14.00	10.20	52.0	53.5	35.0	5.0	73.0/16422	80.0	5.33	
FVC140F1-B-80	80.00	26.00	35.00	18.00	12.50	65.0	67.0	46.0	6.0	110.0/24745	120.0	7.80	