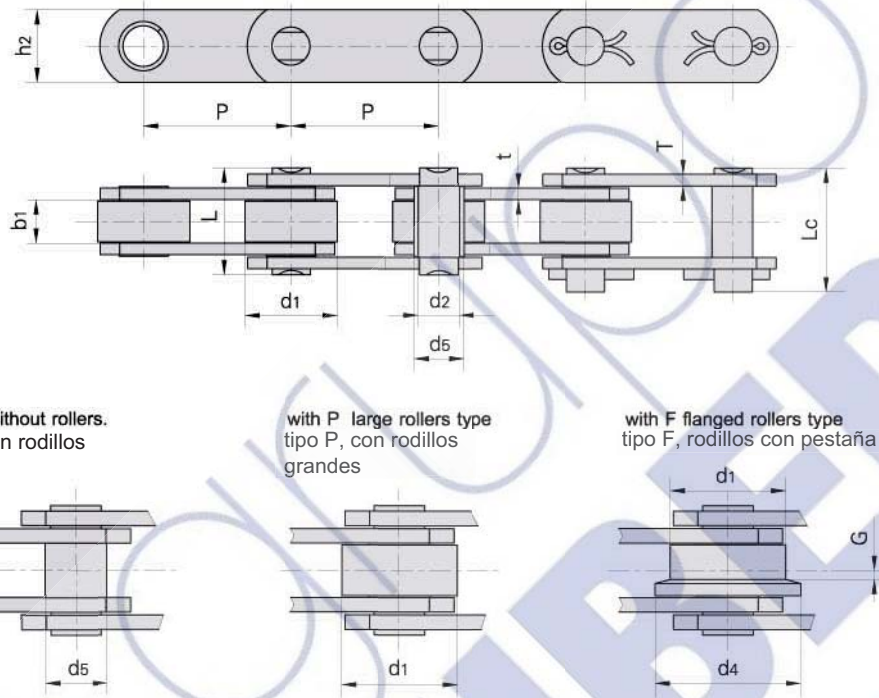


Conveyor chains (Z series) Cadenas transportadoras (Serie Z)



Donghua Chain No. Donghua Cadena No	Pitch Paso						Roller dimension Dimensiones rodillo			Bush diameter Diámetro casquillo	
	P						d1 max	d4 max	G	d5 max	
	mm	mm	mm	mm	mm	mm	mm	mm	mm		
Z40	50.8	63.5	76.2	88.9	101.6	127.0	152.4	31.75	40.0	2.5	17.0
Z100	76.2	88.9	101.6	127.0	152.4	177.8	203.2	47.50	60.0	3.5	23.0
Z160	101.6	127.0	152.4	177.8	203.2	228.6	254.0	66.70	82.0	3.5	33.0
Z300	152.4	177.8	203.2	254.0	304.8	-	-	88.90	114.0	8.5	38.0

Donghua Chain No. Donghua Cadena No	Width between inner plates Ancho interior	Pin diameter Diámetro pasador	Plate depth Altura placas	Pin length Longitud pasador		Plate thickness Ancho placas		Breaking load Carga de rotura	
	b1 min	d2 max	h2 max	L max	Lc max	t/T max	Q min	*Q min	
	mm	mm	mm	mm	mm	mm	kN/LB	kN/LB	
Z40	15.0	14.0	25.0	37.0	40.5	4.0	40.0/9091	50.0/11362	
Z100	19.0	19.0	40.0	45.0	50.5	5.0/4.0	100.0/22725	130.0/29540	
Z160	26.0	26.9	50.0	58.0	63.5	7.0/5.0	156.0/35451	200.0/45454	
Z300	38.0	32.0	60.0	84.0	94.0	10.0/8.0	300.0/68175	380.0/86362	

*Q Higher breaking load with hardened plates

*Q: Placas endurecidas, mayor carga de rotura