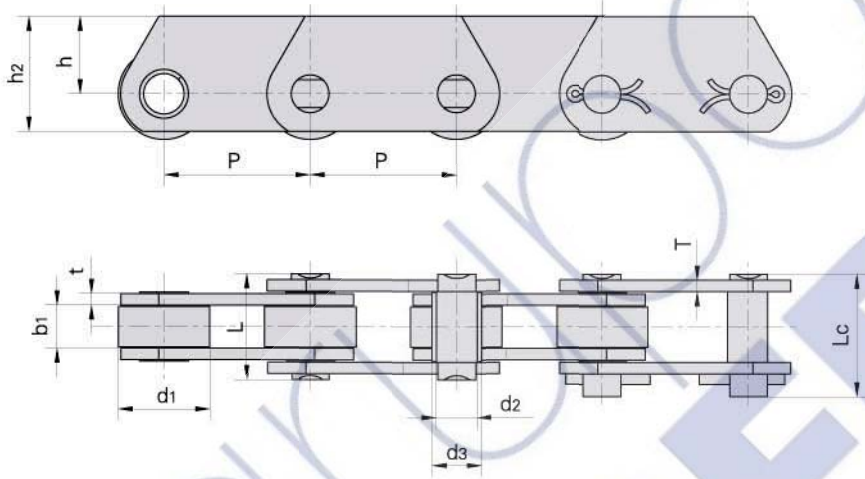


## Conveyor chains (ZE series) Cadenas transportadoras (Serie ZE)



Donghua Chain No. Donghua Cadena No	Pitch Paso				Roller diameter Diámetro rodillo	Pin diameter Diámetro pasador	Bush diameter Diámetro casquillo			
	P									
	mm				d1 max	d2 max	d3 max			
ZE40	50.8	63.5	76.2	88.9	101.6	127.0	152.4	31.75	14.0	17.0
ZE100	76.2	88.9	101.6	127.0	152.4	177.8	203.2	47.50	19.0	23.0
ZE160	101.6	127.0	152.4	177.8	203.2	228.6	254.0	66.70	26.9	33.0
ZE300	152.4	177.8	203.2	254.0	304.8	-	-	88.90	32.0	38.0

Donghua Chain No. Donghua Cadena No	Width between inner plates Ancho interior	Pin length Longitud pasador		Plate depth Altura placas	Plate thickness Ancho placas		Breaking load Carga de rotura	
	b1	L	Lc	h2	h	t/T	Q	*Q
	min	max	max	max	max	max	min	min
	mm	mm	mm	mm	mm	mm	kN/LB	kN/LB
ZE40	15.0	37.0	40.5	40.0	27.0	4.0	40.0/9091	60.0/13636
ZE100	19.0	45.0	50.5	50.0	30.0	5.0/4.0	100.0/22725	160.0/36360
ZE160	26.0	58.0	63.5	70.0	45.0	7.0/5.0	160.0/36360	200.0/45454
ZE300	38.0	84.0	94.0	90.0	60.0	10.0/8.0	300.0/68175	380.0/86362

\*Q Higher breaking load with hardened plates

\*Q: Placas endurecidas, mayor carga de rotura