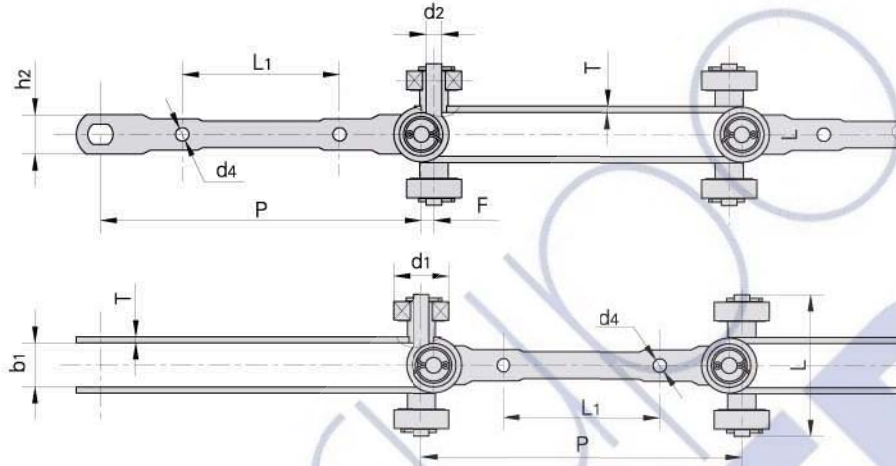
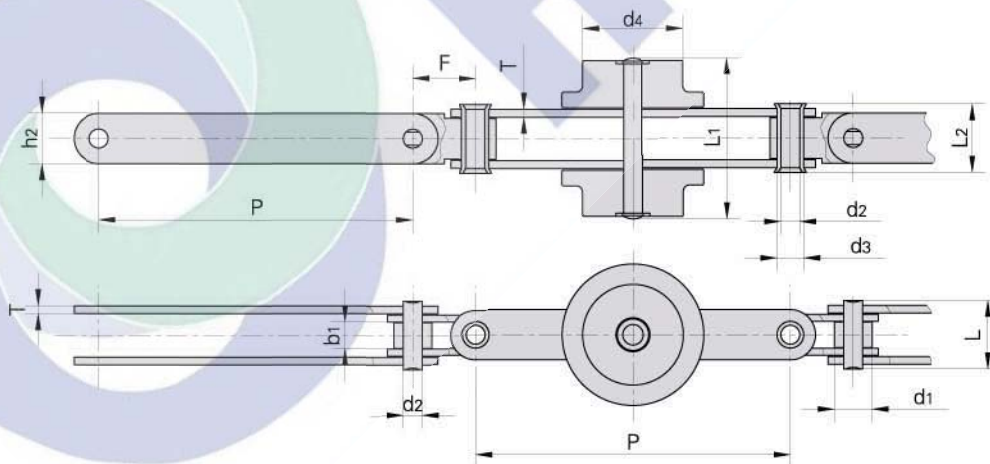


Universal movement conveyor chains Cadenas transportadoras cardan

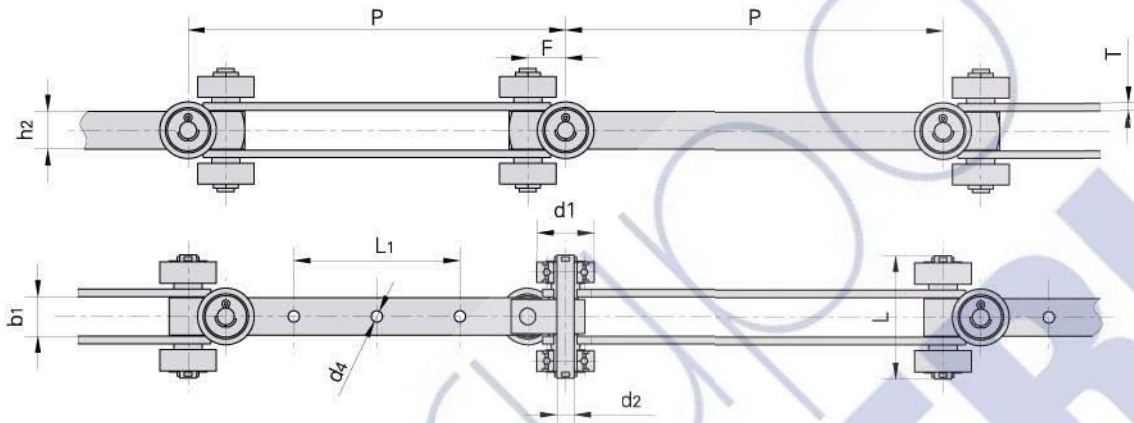


Donghua Chain No. Donghua Cadena No	Pitch	Roller diameter	Width between inner plates	Pin diameter	Pin lenght	plate dimension		Attachment dimension			Ultimate tensile strength
	Paso	Diámetro rodillo	Ancho interior	Diámetro pasador	Longitud pasador	Dimensiones placas		Dimensiones accesorios			Resis. rotura
	P	d1 max	b1 min	d2 max	L max	h2 max	T max	L1	d4	F	Q min
	mm	mm	mm	mm	mm	mm	mm	mm	mm	mm	kN/LB
P210	204.0	35.0	27.5	10.0	90.0	25.0	4.0	100.0	8.5	8.0	50.0/11364
SJ406S-50	203.2	35.0	27.5	10.0	90.0	25.0	4.0	100.0	8.5	11.0	50.0/11364



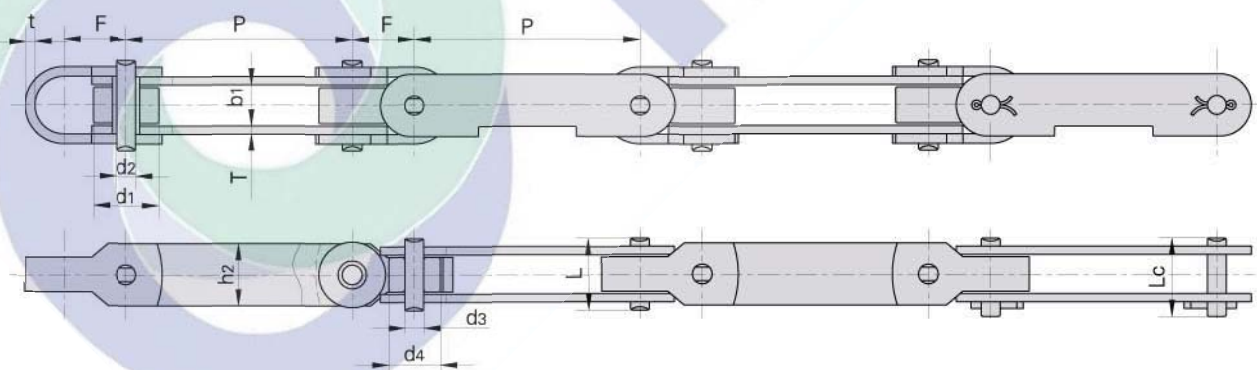
Donghua Chain No. Donghua Cadena No	Pitch	Roller diameter		Width between inner plates	Pin diameter		Pin lenght			plate dimension		Attachment dimension	Ultimate tensile strength
	Paso	Diámetro rodillo		Ancho interior	Diámetro pasador		Longitud pasador			Dimensiones placas		Dimensiones accesorios	Resis. rotura
	P	d1 max	d4 max	b1 min	d2	d3	L max	L1 max	L2 max	h2 max	T max	F	Q min
	mm	mm	mm	mm	mm	mm	mm	mm	mm	mm	mm	mm	kN/LB
P100F11	100.0	12.0	32.0	8.6	6.0	8.5	22.0	53.0	22.0	16.0	2.5	20.0	20.0/4545

Universal movement conveyor chains Cadenas transportadoras cardan



FÖRDERKETTEN

Donghua Chain No. Donghua Cadena No	Pitch	Roller diameter	Width between inner plates	Pin diameter	Pin length	plate dimension		Attachment dimension			Ultimate tensile strength	
	Paso	Diámetro rodillo	Ancho interior	Diámetro pasador	Longitud pasador	Dimensiones placas		Dimensiones accesorios			Resis. rotura	
	P	d1 max	b1 min	d2 max	L max	h2 max	T max	L1	d4	F	Q min	
	mm	mm	mm	mm	mm	mm	mm	mm	mm	mm	mm	kN/LB
SJ400-40	200.0	30.0	20.0	9.0	65.0	20.0	3.0	88.0	6.44	20.0	15.0/3374	
SJ400-60	200.0	35.0	21.0	10.0	64.5	20.0	4.0	88.0	6.50	20.0	60.0/13497	
SJ400-100	200.0	40.0	26.0	14.0	75.0	30.0	4.0	88.0	10.00	25.0	100.0/22495	
SJ405S-60	203.2	47.0	30.0	14.0	95.0	30.0	4.0	76.2	8.40	16.5	50.0/11247	



Donghua Chain No. Donghua Cadena No	Pitch	Roller diameter	Width between inner plates	Pin diameter		Pin length	plate dimension		Attachment dimension		Ultimate tensile strength			
	Paso	Diámetro rodillo	Ancho interior	Diámetro pasador		Longitud pasador	Dimensiones placas		Dimensiones accesorios		Resis. rotura			
	P	d1 max	d4 max	b1 min	d2	d3	L max	Lc max	h2 max	T max	F	t	Q min	
	mm	mm	mm	mm	mm	mm	mm	mm	mm	mm	mm	mm	mm	kN/LB
P69F2	69.0	20.0	15.9	8.6	6.0	5.72	22.0	24.0	19.0	2.5	19.0	3.0	20.0/4545	