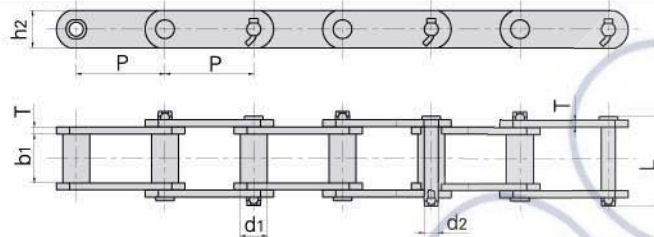
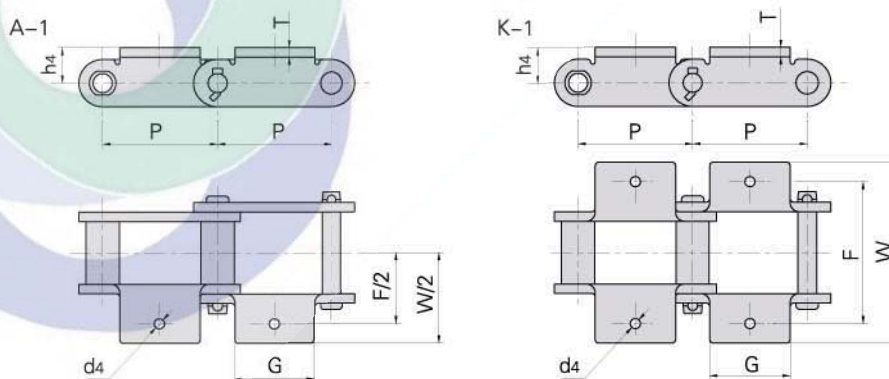


Engineering bush chains Cadenas de casquillos



ANSI Chain No.	Donghua Chain No.	Pitch	Bush diameter	Width between inner plates	Pin diameter	Pin length	Plate depth	Plate thickness	Ultimate tensile strength	Average tensile strength	Weight per meter
ANSI Cadena No	Donghua Cadena No	Paso	Diámetro casquillo	Ancho interior	Diámetro pasador	Longitud pasador	Altura placas	Ancho placas	Resis. rotura	Resis. media tracción	Peso por metro
		P	d ₁ max	b ₁ min	d ₂ max	L max	h ₂ max	T max	Q min	Q ₀	q
		mm	mm	mm	mm	mm	mm	mm	kN/LB	kN	kg/m
S102B		101.60	25.40	54.10	15.88	111.3	38.10	9.7	160.0/35993	176.0	10.4
S110		152.40	32.00	54.10	15.88	111.3	38.10	9.7	160.0/35993	176.0	9.8
S111		120.90	36.60	66.80	19.05	131.2	50.80	9.7	214.0/48141	235.4	15.9
S131		78.11	32.00	33.50	15.88	90.5	38.10	9.7	160.0/35993	176.0	11.6
S150		153.67	44.70	84.30	25.40	164.6	63.50	12.7	378.0/85034	416.0	25.7
S188		66.27	22.40	26.90	12.70	68.6	28.40	6.4	102.0/22946	112.2	5.6
S856		152.40	44.40	76.20	25.40	154.9	63.50	12.7	365.0/82110	401.5	25.0
S857		152.40	44.40	76.20	25.40	154.9	82.60	12.7	432.0/97182	475.2	32.0
S859		152.40	60.40	95.30	31.75	188.5	101.60	16.0	690.0/155221	759.0	55.9
S864		177.80	60.40	95.30	31.75	188.5	101.60	16.0	690.0/155221	759.0	51.8
S102.5		102.36	34.93	57.15	19.05	115.0	44.45	9.5	214.0/48141	235.4	14.09
S110F1		152.40	31.75	53.48	15.88	111.0	44.45	9.5	160.0/35993	176.0	10.50
S111F1		120.90	36.51	66.68	19.05	125.0	50.80	9.5	214.0/48141	235.4	15.46

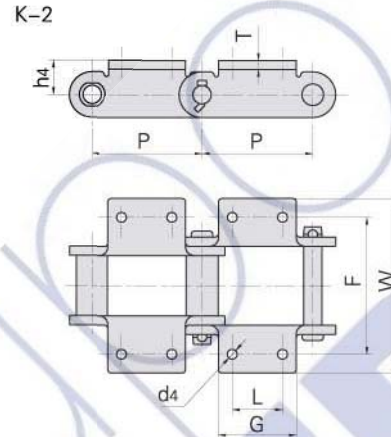
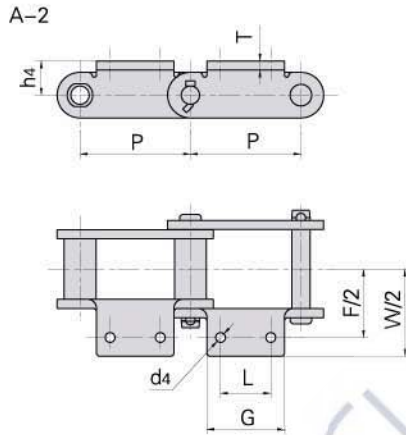
Engineering bush chain with attachments Accesorios para cadenas de casquillos



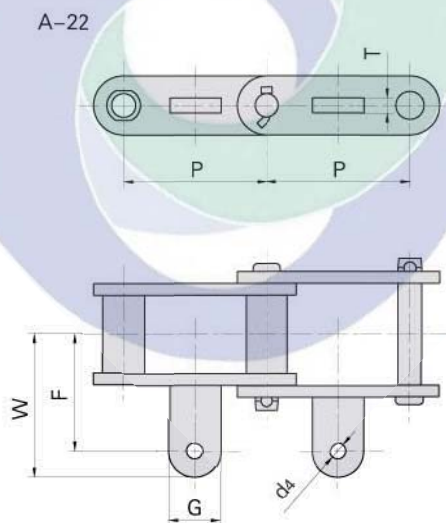
ANSI Chain No.	P	G	F	W	h ₄	d ₄	T
ANSI Cadena No	mm	mm	mm	mm	mm	mm	mm
*S102B	101.60	77.0	121.0	180.8	25.4	10.2	9.7
S131	78.11	73.9	104.6	157.0	25.4	13.5	9.7
S188	66.27	54.6	95.2	131.6	20.6	10.2	6.4

*S102B only with A-1 attachments
*S102B sólo con accesorios A-1.

Engineering bush chain with attachments Accesorios para cadenas de casquillos



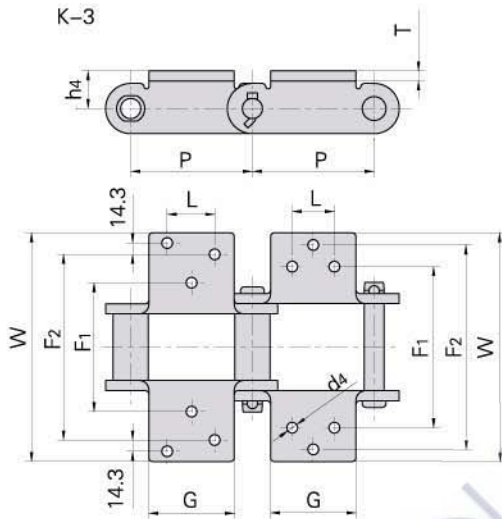
ANSI Chain No. ANSI Cadena No	Donghua Chain No. Donghua Cadena No	P mm	L mm	G max mm	F mm	W max mm	h4 mm	d4 min mm	T mm
S102B		101.60	44.50	69.9	134.90	180.80	25.40	10.2	9.7
S110		152.40	44.50	89.6	134.90	180.80	25.40	10.2	9.7
S111		120.90	58.70	92.7	158.80	210.80	38.10	13.5	9.7
S131		78.11	38.10	73.9	104.60	157.00	25.40	13.5	9.7
S150		153.67	69.90	108.7	190.50	249.40	47.80	13.5	12.7
S188		66.27	31.80	54.6	106.40	131.60	20.60	8.6	6.4
S856		152.40	63.50	103.1	184.20	241.30	47.80	16.8	12.7
	S102.5	102.36	44.45	69.0	136.53	163.51	28.58	9.5	9.5
	S110F1	152.40	44.45	88.9	134.94	165.10	27.78	10.3	9.5
	S111F1	120.90	58.70	87.5	158.75	196.85	38.10	13.7	9.5



ANSI Chain No. ANSI Cadena No	P mm	G mm	F mm	W mm	d4 mm	T mm
S188	66.27	49.2	45.2	61.2	10.2	10.4

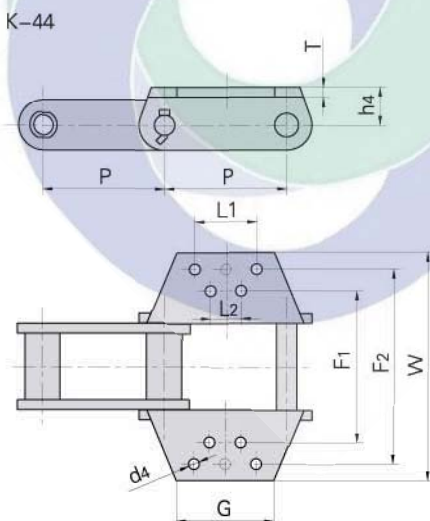
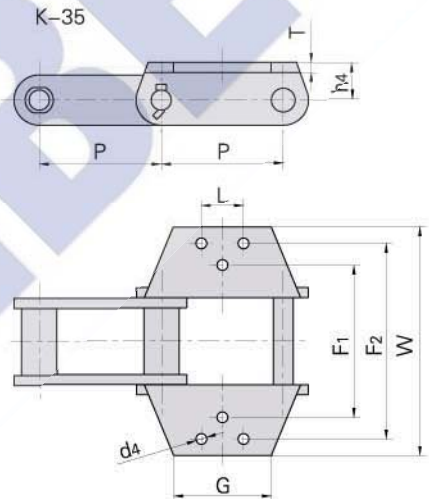
Engineering bush chain with attachments

Accesorios para cadenas de casquillos



ANSI Chain No.	P	G	L	F1	F2	W	h4	d4	T
ANSI Cadena No	mm	mm	mm	mm	mm	mm	mm	mm	mm
S150	153.67	109.5	69.9	190.5	292.1	347.5	47.8	13.5	13.5
S856	152.40	152.4	69.9	166.6	277.9	349.3	47.8	13.5	13.5

ANSI Chain No.	P	G	L	F1	F2	W	h4	d4	T
ANSI Cadena No	mm	mm	mm	mm	mm	mm	mm	mm	mm
S856	152.4	146.1	63.5	184.2	298.5	349.3	47.8	16.8	13.5



ANSI Chain No.	P	G	L1	L2	F1	F2	W	h4	d4	T
ANSI Cadena No	mm	mm	mm	mm	mm	mm	mm	mm	mm	mm
S857	152.4	146.1	88.9	88.9	177.8	304.8	355.6	63.5	13.5	13.5
S859	152.4	146.1	114.3	69.9	228.6	330.2	381.0	76.2	16.8	13.5
S864	177.8	146.1	139.7	95.3	228.6	330.2	381.0	76.2	16.8	13.5