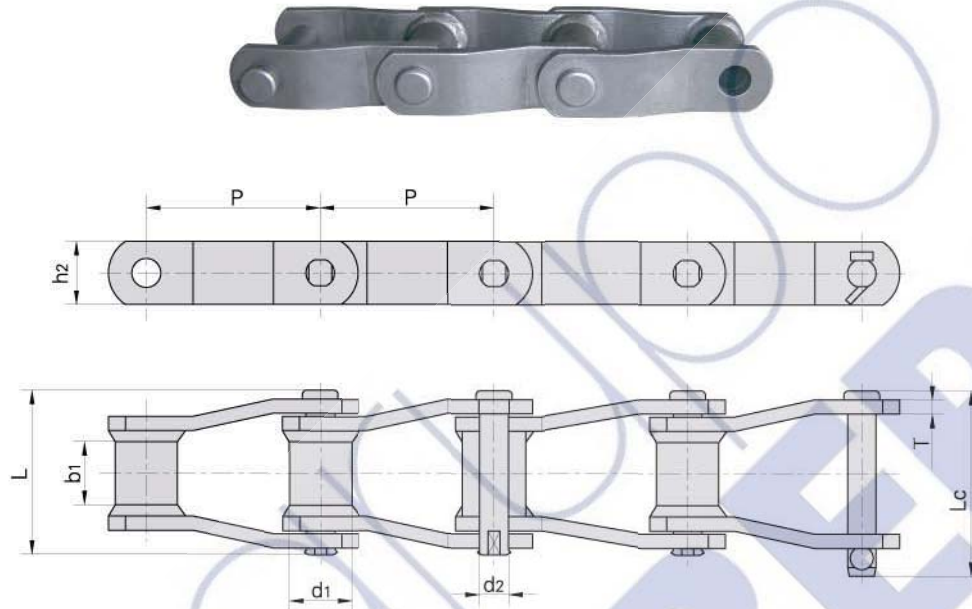


**WELDED STEEL CHAINS**  
***GESCHWEISSTE ROTARYKETTEN***



## Welded steel chains Cadenas de acero soldadas



Donghua Chain No. Donghua Cadena No	Pitch	Bush diameter	Width between inner plates	Pin diameter	Pin length		Plate depth	Plate thickness	Ultimate tensile strength	Average tensile strength	Weight per meter
	Paso	Diámetro casquillo	Ancho interior	Diámetro pasador	Longitud pasador		Altura placas	Ancho placas	Resis. rotura	Resis. media tracción	Peso por metro
	P	d1 max	b1 min	d2 max	L max	Lc max	h2 max	T	Q min	Q0	q
	mm	mm	mm	mm	mm	mm	mm	mm	kN/LB	kN	kg/m
WR78 WH78	66.27	22.9	28.4	12.78	73.0	79.3	28.4	6.4	93.4/21227 106.8/24273	102.7 117.5	6.20
WR82 WH82	78.10	31.5	31.8	14.35	80.0	86.0	31.8	6.4	100.1/22750 131.2/29818	110.1 144.3	7.98
WR106 WH106	152.40	37.1	41.2	19.13	103.0	111.0	38.1	9.7	169.0/38409 224.6/51045	185.9 247.0	10.56
WR110 WH110	152.40	32.0	46.7	19.13	107.7	115.5	38.1	9.7	169.0/38409 224.6/51045	185.9 247.0	10.40
WR111 WH111	120.90	37.1	57.2	19.13	116.8	124.5	38.1	9.7	169.0/38409 224.6/51045	185.9 247.0	12.72
WR124 WH124	101.60	37.1	41.2	19.13	103.0	110.0	38.1	9.7	169.0/38409 224.6/51045	185.9 247.0	12.38
WR124H WH124H	103.20	41.7	41.2	22.30	131.6	133.0	50.8	12.7	275.8/62682 355.9/80886	303.3 391.4	19.68
WR132 WH132	153.67	44.7	76.2	25.48	151.0	162.2	50.8	12.7	275.8/62682 378.1/85932	303.3 415.9	20.00
WR150 WH150	153.67	44.45	73.0	25.40	151.0	162.2	63.5	12.7	620/140907	682	20.50
WR155 WH155	153.67	44.45	73.0	28.57	164.0	176.0	63.5	12.7	820/186361	902	20.70
WR157 WH157	153.67	44.45	76.2	28.57	164.0	176.0	63.5	15.9	820/186361	902	20.80

Note: WR - Welded steel chain c/w heat treated pins & bushings  
WH - Welded steel chain - fully heat treated

Notas: WR - Cadena de acero soldada c/w pasadores y bujes con tratamiento térmico.  
WH - Cadena de acero soldada - completamente con tratamiento térmico.