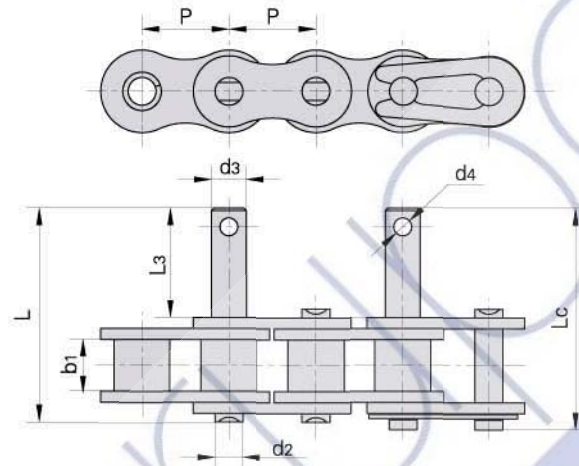
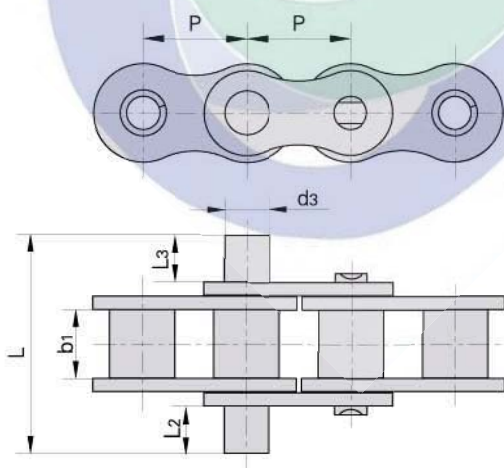


Conveyor chain with special extended pins Cadenas transportadoras con pasadores prolongados especiales

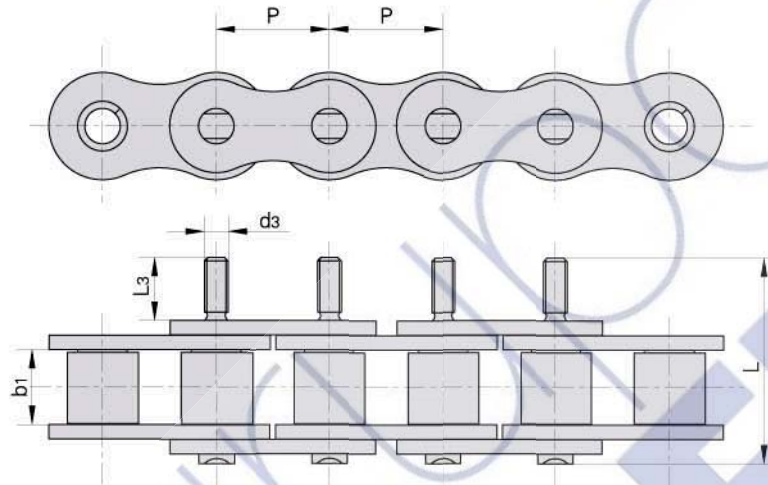


Donghua Chain No. Donghua Cadena No	P	b1	d2	d3	L3	L	Lc	d4
	mm	mm	mm	mm	mm	mm	mm	mm
10A-D9	15.875	9.40	5.08	6.35	20.0	39.5	41.1	-
16AF1	25.400	15.88	7.92	9.00	20.0	51.2	54.7	-
08B-D4	12.700	7.75	4.45	6.00	15.0	31.2	32.4	-
08B-D7	12.700	7.75	4.45	6.00	14.0	30.2	31.4	2.6
08BF3	12.700	7.75	4.45	6.00	8.0	24.2	25.4	-
10BF2	15.875	9.65	5.08	6.00	25.0	43.4	44.8	-
10BF3	15.875	9.65	5.08	8.00	25.0	43.4	44.8	-
10B-D7	15.875	9.65	5.08	6.50	40.0	58.5	60.1	-
12B-D5	19.050	11.68	5.72	8.00	40.0	61.4	63.1	-
12B-D6	19.050	11.68	5.72	6.00	20.0	41.1	42.9	-
12B-D7	19.050	11.68	5.72	8.00	25.0	46.4	48.2	-

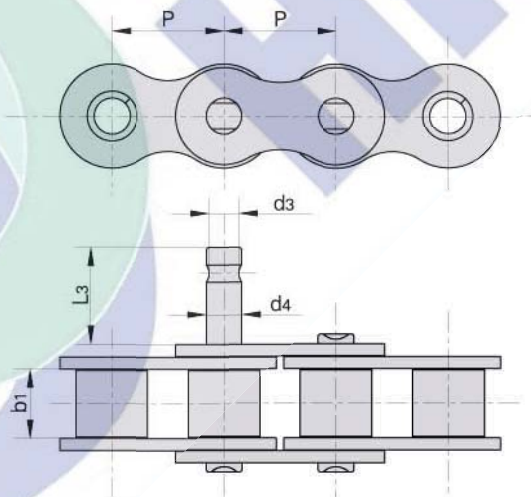


Donghua Chain No. Donghua Cadena No	P	b1	d3	L2	L3	L
	mm	mm	mm	mm	mm	mm
12A-D7	19.050	12.57	8.10	8.6	8.6	40.0
06B-D4	9.525	5.72	3.28	3.0	5.0	19.4
08B-D8	12.700	7.75	4.45	10.0	38.0	62.5
08BF7	12.700	7.75	4.45	3.0	5.0	22.8
16BF4	25.400	17.02	8.28	18.0	18.0	68.0

Conveyor chain with special extended pins Cadenas transportadoras con pasadores prolongados especiales



Donghua Chain No.	P	b1	d3	L3	L
Donghua Cadena No	mm	mm	mm	mm	mm
12AF19	19.05	12.57	M4	10.0	34.5
12BF13	19.05	11.68	M4	10.0	31.0



Donghua Chain No.	P	b1	d3	d4	L3
Donghua Cadena No	mm	mm	mm	mm	mm
10B-D9	15.875	9.65	4.5	5.08	13.0
10B-D12	15.875	9.65	4.5	5.08	12.0
12B-D8	19.05	11.68	5.15	5.72	13.0