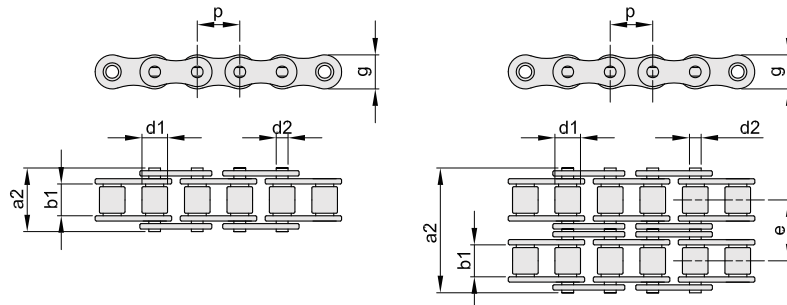


La cadena de acero inoxidable (AISI 304), construido con rodillo sólido, ofrece una excelente resistencia a la corrosión. Por lo tanto, puede ser utilizado en ambientes de agua, productos químicos y calor. Funciona a temperaturas de -20°C a 400°C.



CADENA FABRICADA SEGÚN NORMA ISO 9001
 CHAIN PRODUCED BY ISO 9001



CADENA ESTIRADA / PRE-STRETCHED CHAINS

SIMPLE

| ISO | p | | b ₁ mm min. | d ₂ mm | d ₁ mm max. | a ₂ mm max. | g mm max. | F _s min KN | q kg/m ≈ |
|--------------|--------|------|------------------------------|----------------------|------------------------------|------------------------------|-----------------|-----------------------------|----------------|
| | mm | inch | | | | | | | |
| 06B-1 | 9,525 | 3/8" | 5,72 | 3,28 | 6,35 | 13,5 | 8,26 | 6,6 | 0,40 |
| 08B-1 | 12,7 | 1/2" | 7,75 | 4,45 | 8,51 | 17,0 | 11,81 | 12,0 | 0,68 |
| 10B-1 | 15,875 | 5/8" | 9,65 | 5,08 | 10,16 | 19,6 | 14,73 | 15,0 | 0,91 |
| 12B-1 | 19,05 | 3/4" | 11,68 | 5,72 | 12,07 | 22,7 | 16,13 | 17,0 | 1,12 |
| 16B-1 | 25,4 | 1" | 17,02 | 8,28 | 15,88 | 36,1 | 21,08 | 40,0 | 2,59 |

DOBLE

| ISO | p | | b ₁ mm min. | d ₂ mm | d ₁ mm max. | a ₂ mm max. | g mm max. | e mm | F _s min KN | q kg/m ≈ |
|--------------|--------|------|------------------------------|----------------------|------------------------------|------------------------------|-----------------|---------|-----------------------------|----------------|
| | mm | inch | | | | | | | | |
| 06B-2 | 9,525 | 3/8" | 5,72 | 3,28 | 6,35 | 23,8 | 8,26 | 10,24 | 10,5 | 0,76 |
| 08B-2 | 12,7 | 1/2" | 7,75 | 4,45 | 8,51 | 31,0 | 11,81 | 13,92 | 22,0 | 1,31 |
| 10B-2 | 15,875 | 5/8" | 9,65 | 5,08 | 10,16 | 36,2 | 14,73 | 16,59 | 28,4 | 1,79 |
| 12B-2 | 19,05 | 3/4" | 11,68 | 5,72 | 12,07 | 42,2 | 16,13 | 19,46 | 33,3 | 2,22 |
| 16B-2 | 25,4 | 1" | 17,02 | 8,28 | 15,88 | 68,0 | 21,08 | 31,88 | 74,4 | 5,03 |